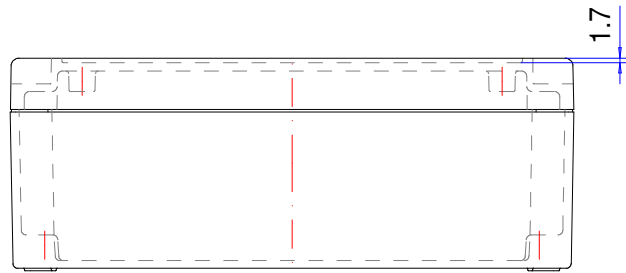


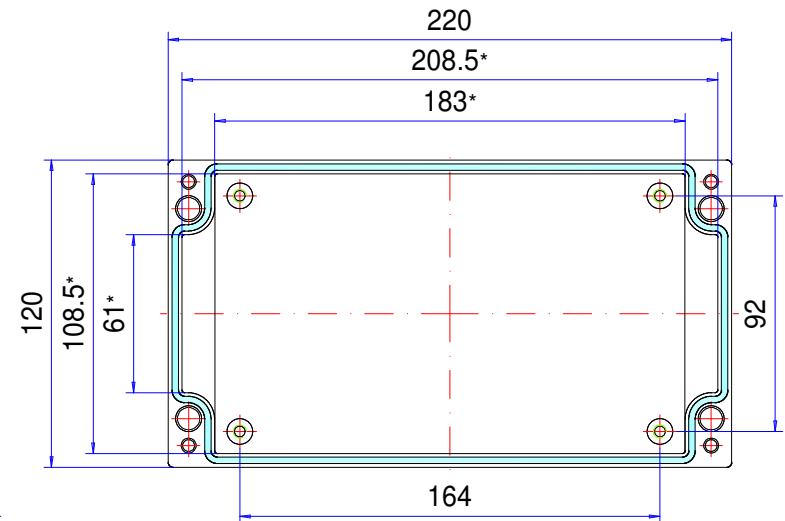
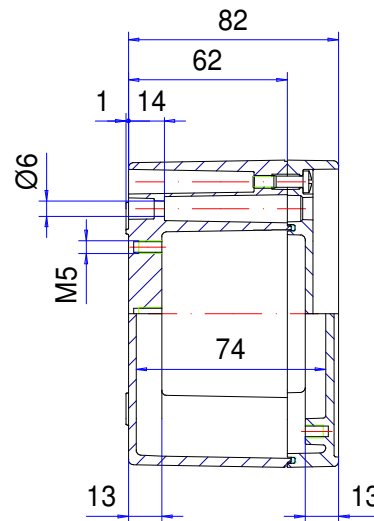
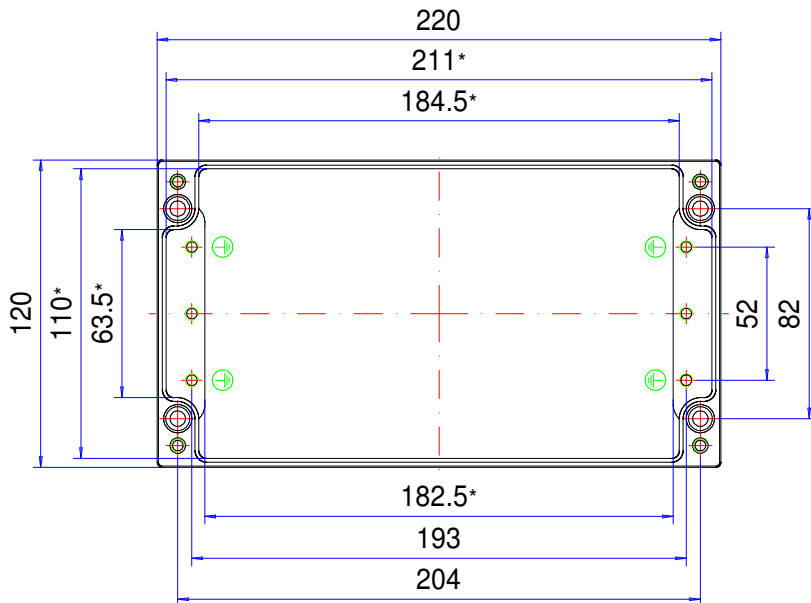
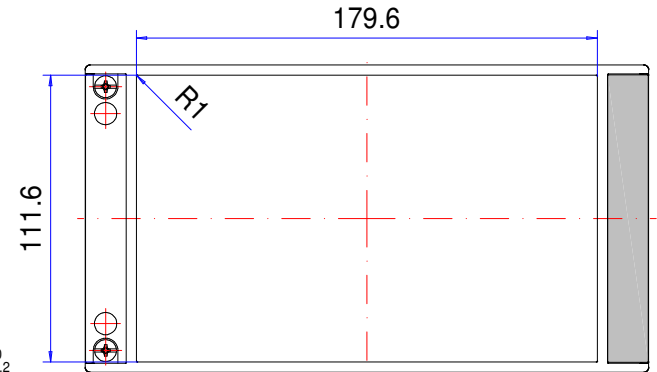
# Enclosure series aluPLUS

Type: AP 122

Material-No.: 196.122.000



Folie/ Keypad  
 $111^{+0}_{-0.2} \times 179^{+0}_{-0.2}$



\* Please note: Mould slope for casting ejection, dimensions in the amount of the bottom!

Enclosure material	GD-Al Si 12 (DIN 1725)		Ingress protection	IP66 EN 60529
Lid screws	4x stainless steel 1.4567 (V2A), captive		Weight	1.110 g
Assembly screws	5x M5x8, galvanized steel		Coating	Powder coating RAL 7035, light grey
Design covers	2x Polybutylene Ter. (PBT), RAL 7016, anthracite grey		Tolerance	GTA 13/5 DIN 1688-4 (outside dimensions $\pm 0,5\text{mm}$ )
Gasket	1x moulded gasket, silicone, transparent			