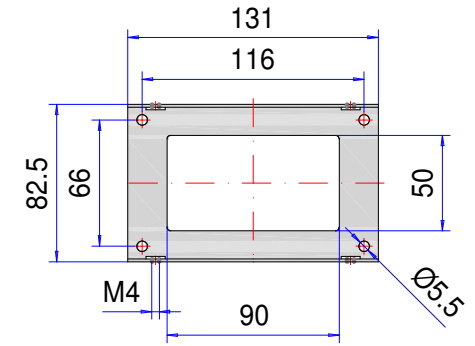
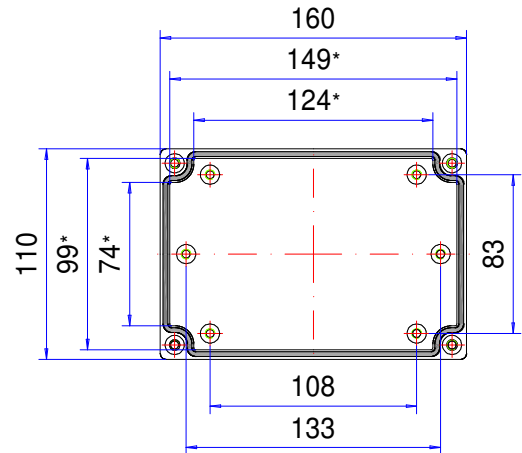


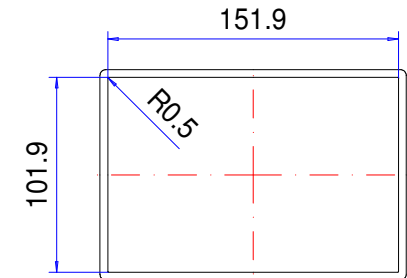
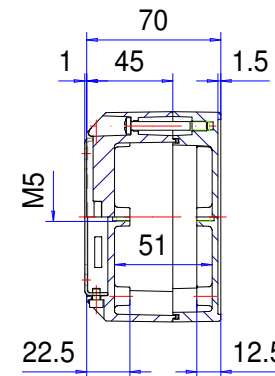
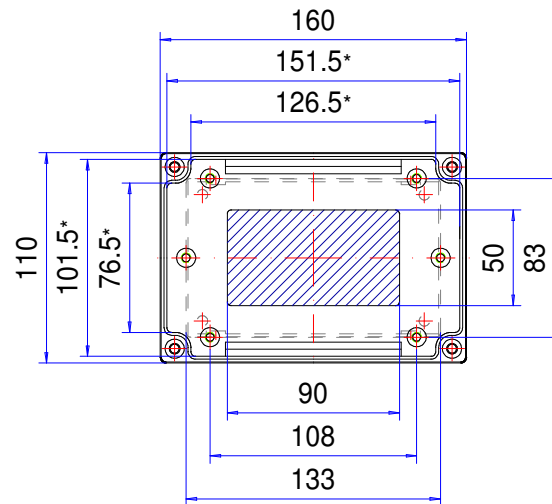
Enclosure series aluSMART

Type: ASM 112

Material-No.: 241.112.000




Stainless steel bracket (t=1.5)



Folie/ Keypad
101.3⁺⁰_{-0.2} x 151.3⁺⁰_{-0.2}

* Please note: Mould slope for casting ejection, dimensions in the amount of the bottom!

Enclosure material	GD-Al Si 12 (DIN 1725)		Vibration	DIN EN 60068-2-6, inspection Fc, acceleration 4gn
Lid screws	4x stainless steel 1.4567 (V2A), captive		Weight	845 g
Gasket	1x TPE moulded gasket, silicone-free, black		Assembly screws	5x M5x8, galvanized steel
Wall bracket	1x stainless steel, bare		Coating	Powder coating RAL 7035, light grey
Ingress protection	IP67 EN 60529		Tolerance	GTA 13/5 DIN 1688-4 (outside dimensions ±0,5mm)