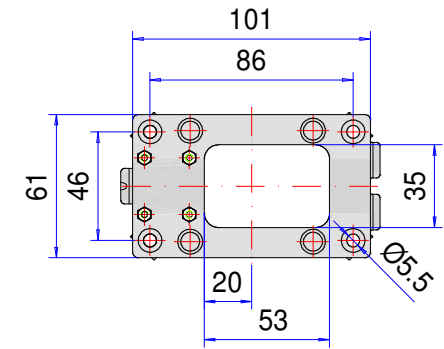
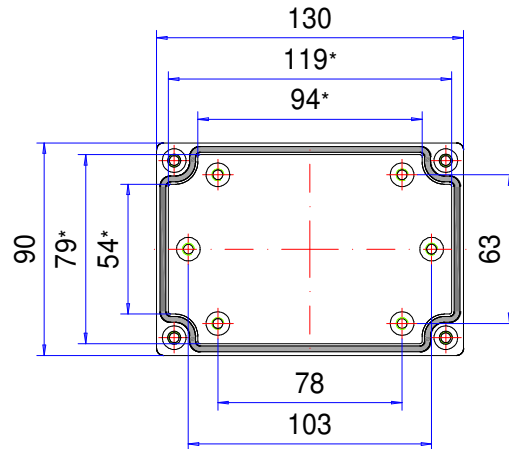


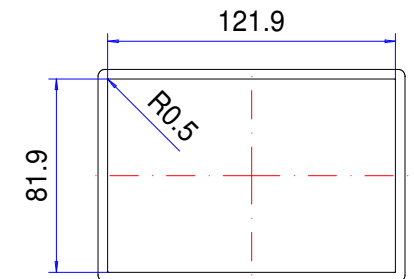
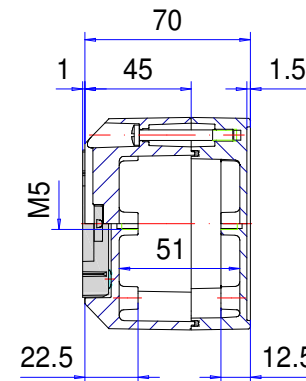
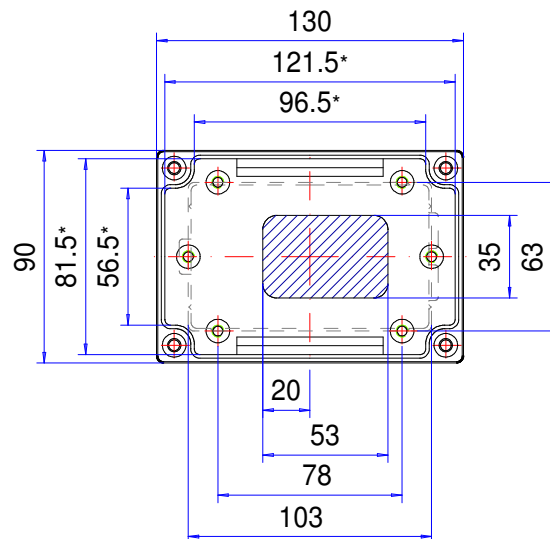
Enclosure series aluCLIC

Type: ACL 092

Material-No.: 240.092.000




Snap-on device



Folie/ Keypad
81.3⁺⁰_{-0.2} x 121.3⁺⁰_{-0.2}

* Please note: Mould slope for casting ejection, dimensions in the amount of the bottom!

| | | | | |
|--------------------|--|---|-----------------|---|
| Enclosure material | GD-Al Si 12 (DIN 1725) |  | Vibration | DIN EN 60068-2-6, inspection Fc, acceleration 4gn |
| Lid screws | 4x stainless steel 1.4567 (V2A), captive | | Weight | 610 g |
| Gasket | 1x TPE moulded gasket, silicone-free, black | | Assembly screws | 5x M5x8, galvanized steel |
| Snap-on device | 1x Polyoxymethylen (POM), RAL 9005, deep black | | Coating | Powder coating RAL 7035, light grey |
| Ingress protection | IP67 EN 60529 | | Tolerance | GTA 13/5 DIN 1688-4 (outside dimensions ±0,5mm) |