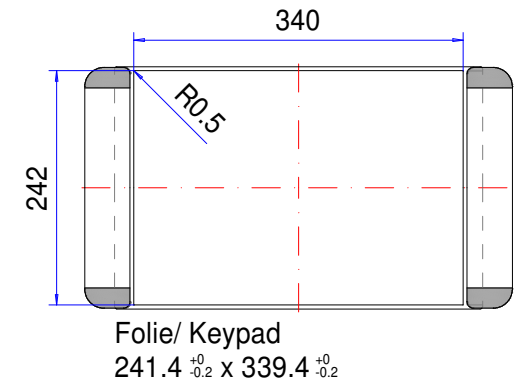
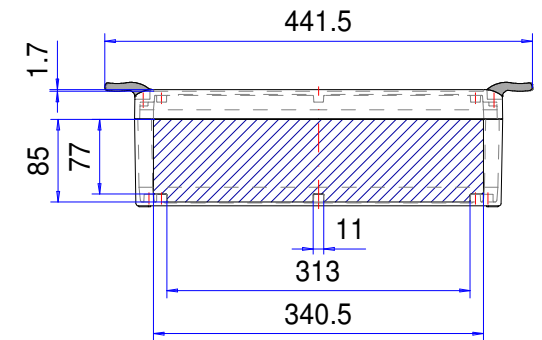
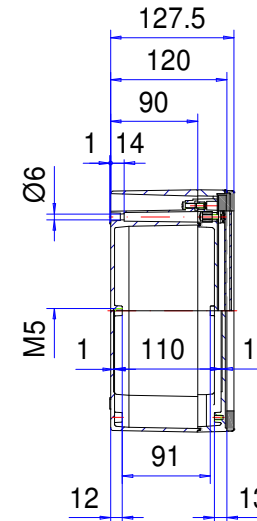
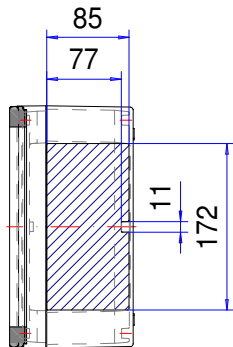
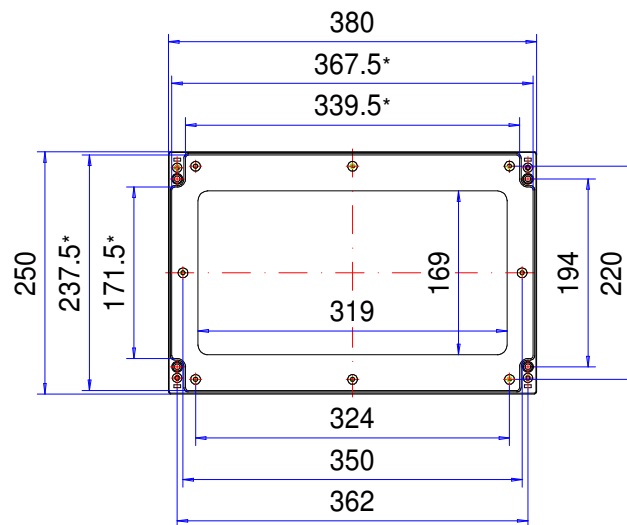
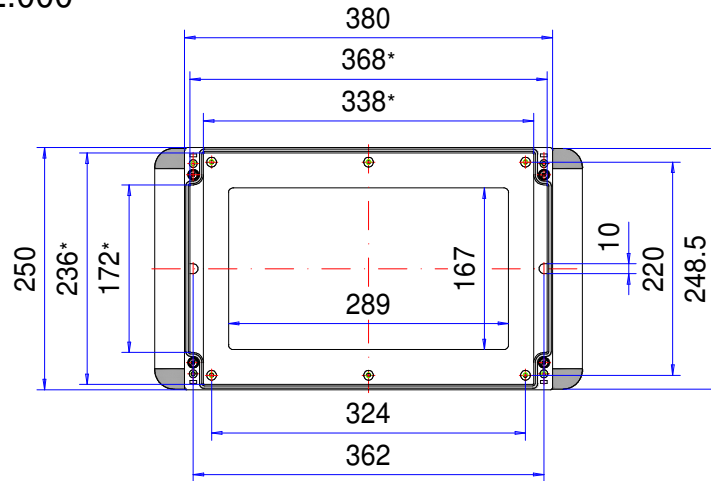



Enclosure series commandCASE

Type: CCV 252

Material-No.: 195.252.000



* Please note: Mould slope for casting ejection, dimensions in the amount of the bottom !

Enclosure material	GD-Al Si 12 (DIN 1725)		Gasket	1x Chloroprene (CR), light grey
Lid screws	4x stainless steel 1.4567 (V2A), captive		Ingress protection	IP66 EN 60529
Lid supports	2x Polypropylen (PP), window grey		Weight	3.804 g
Design grip "wings"	2x Aluminium anodized, 4x edge (POM), anthrazite grey		Coating	Powder coating RAL 7035, light grey
Assembly screws	5x M5x8, galvanized steel		Tolerance	GTA 13/5 DIN 1688-4 (outside dimensions ±0,5mm)