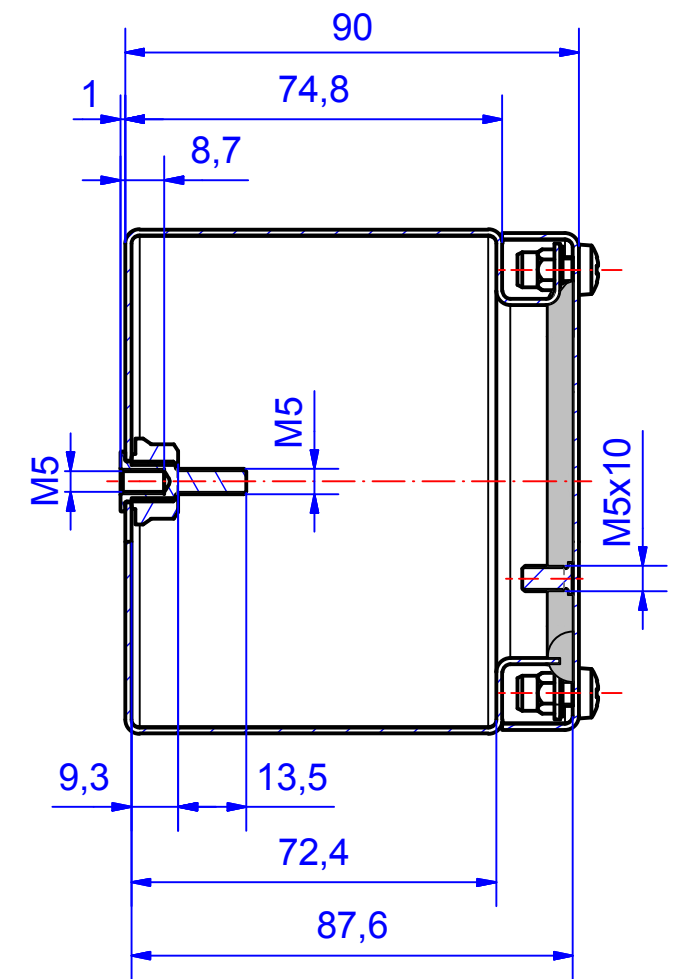
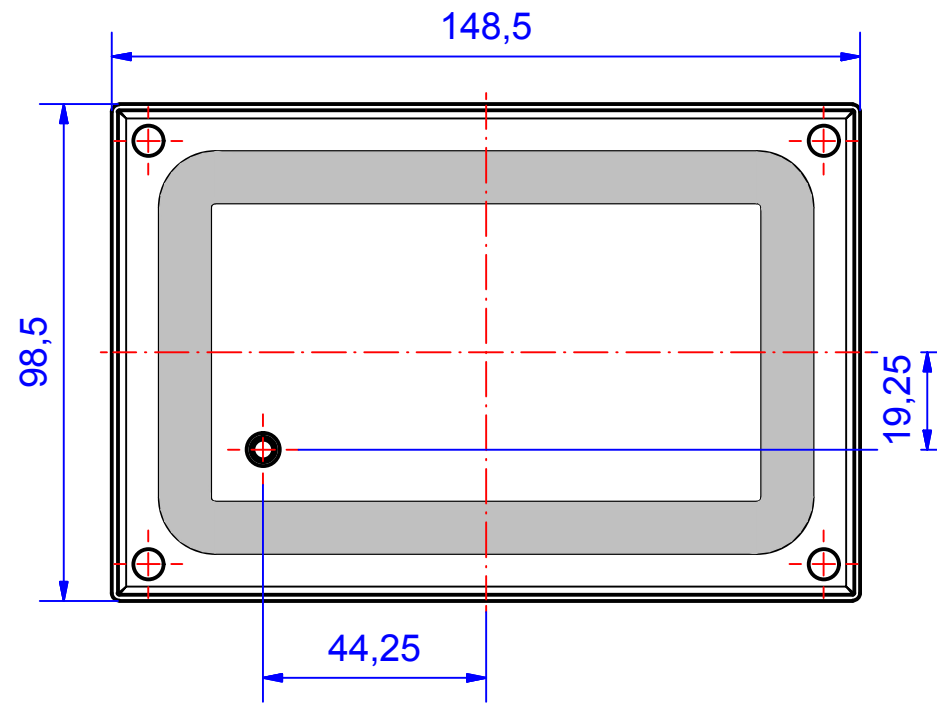
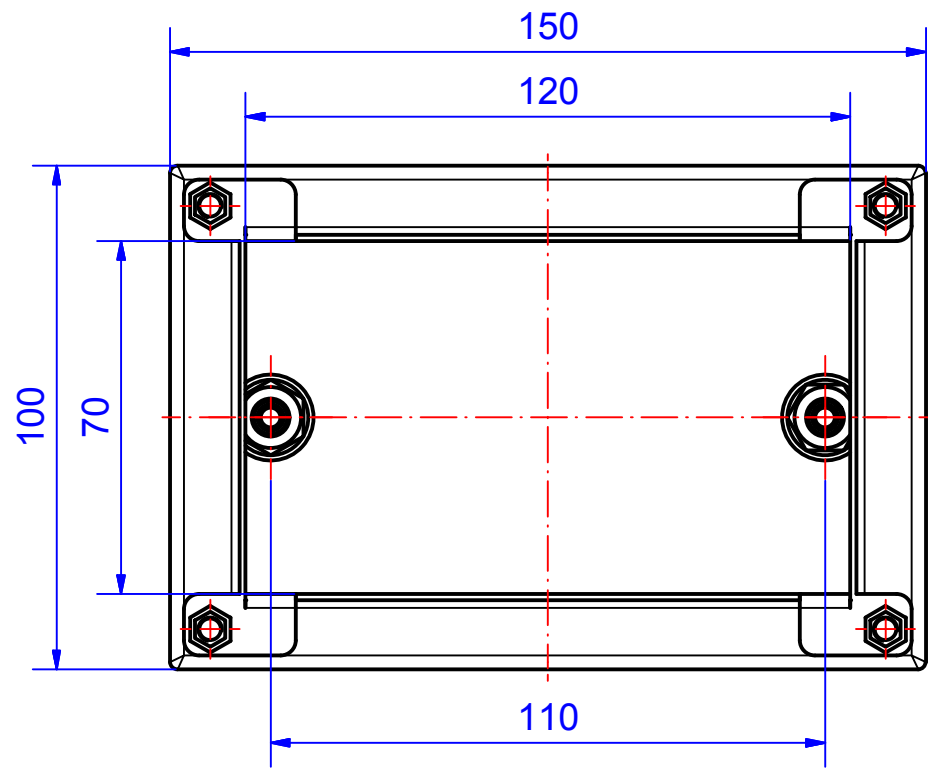


Enclosure series inoBOX

Type: IBB 102

Material-No.: 247.102.000



| | | | | |
|--------------------|----------------------------|--|-----------------|-------------------------|
| Enclosure material | V4A, 1.4404 (AISI 316) | | Weight | 1,1 kg |
| Lid screws | 4x V4A, captive | | Sheet thickness | 1,2 mm |
| Gasket | Polyurethane, dosed gasket | | Surface | Grinded, Scotch-Brite |
| Ingress protection | IP66 EN 60529 | | Tolerance | DIN ISO 2768-m DIN 6935 |