

Suspension system taraPLUS

Type: Round tube Ø70

Material-No.: 144.34*.***

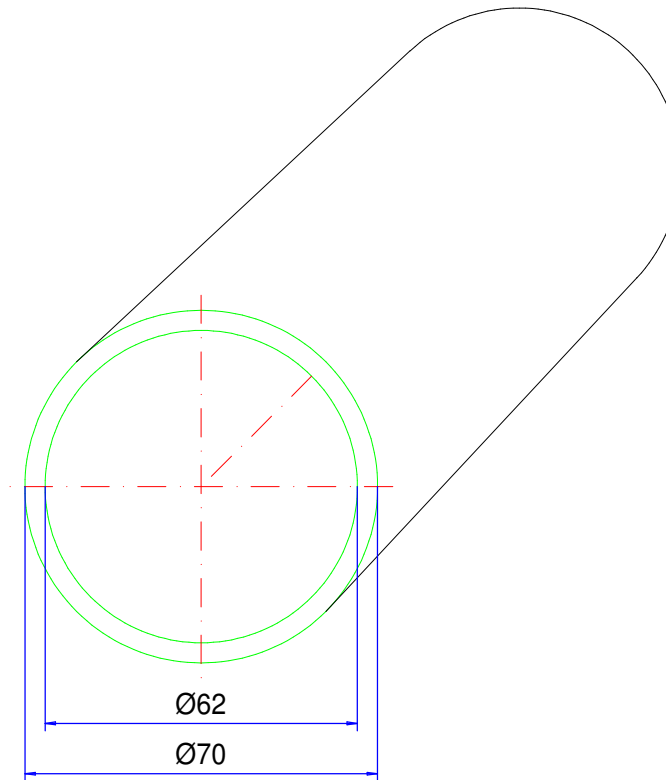
144.340.250 (L= 250 mm)

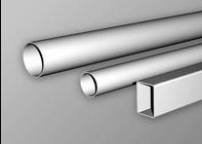
144.340.500 (L= 500 mm)

144.341.000 (L= 1000 mm)

144.341.500 (L= 1500 mm)

144.342.000 (L= 2000 mm)



Material system elements	Steel, seamless, cold-drawn		Pivoting range	---
Gasket	---		Weight	6,900 kg/ m
Assembly screws	---		Coating	Powder coating RAL 9006, white aluminium
Ingress protection	IP54 EN 60529		Tolerance	EN 10305-4 (DIN 2391)