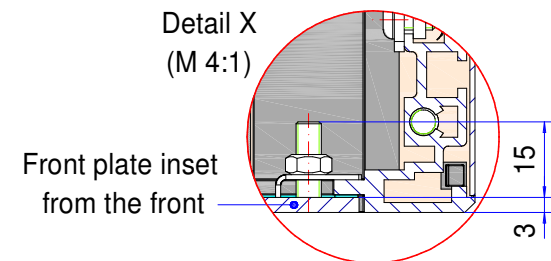
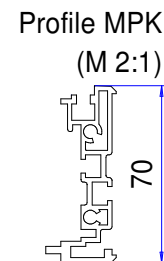
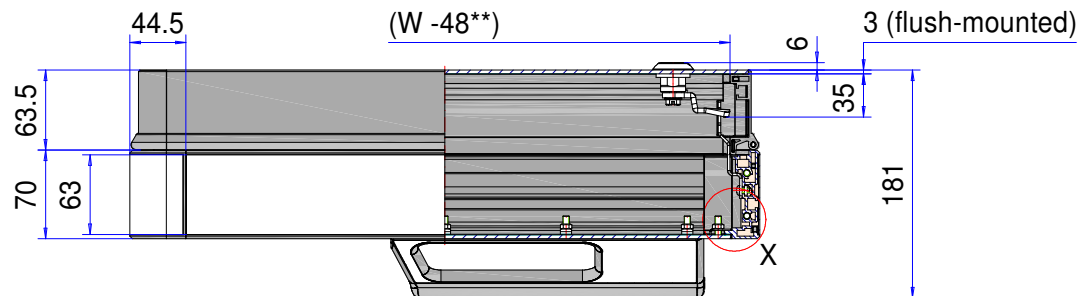
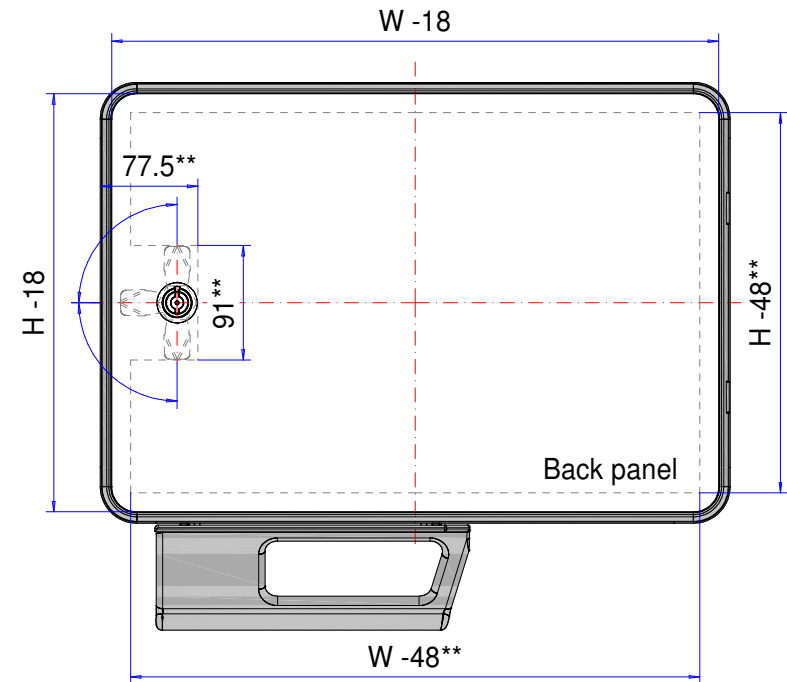
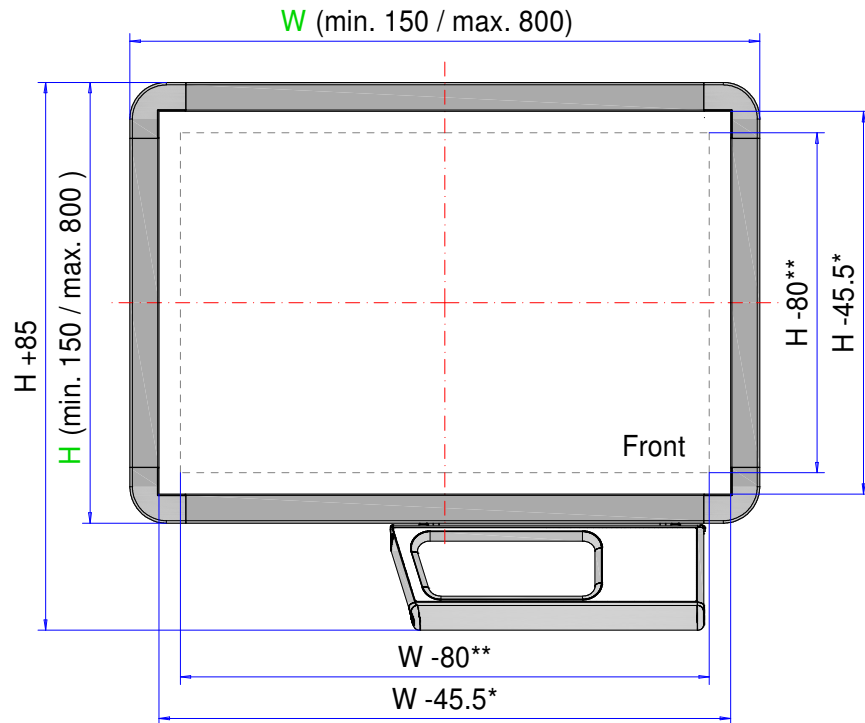


Enclosure series multiPANEL Kommando

Type: MPK 60

Material-No.: 321.600.AAA



* Visible front surface, ** utilization area

Enclosure material	Alu profile (Al Mg Si 0,5), corner element (Al Si 12)		Front versions (optional)	Aluminium front plate, direct installations
Fastener	Hinges and double-bit fastener		Back panel	1x aluminium-profile, -corner element, -plate, RAL 9005, black
Gasket	2x dosed gasket, silicone		Handle system (optional)	Polyamide black, stainless steel brushed
Ingress protection	IP65 EN 60529		Corpus	Decor inlay: stainless steel brushed, enclosure: RAL 9005, black
Weight	Varied depending on the configuration		Tolerance	DIN ISO 2768 m (outside dimensions ±1mm)