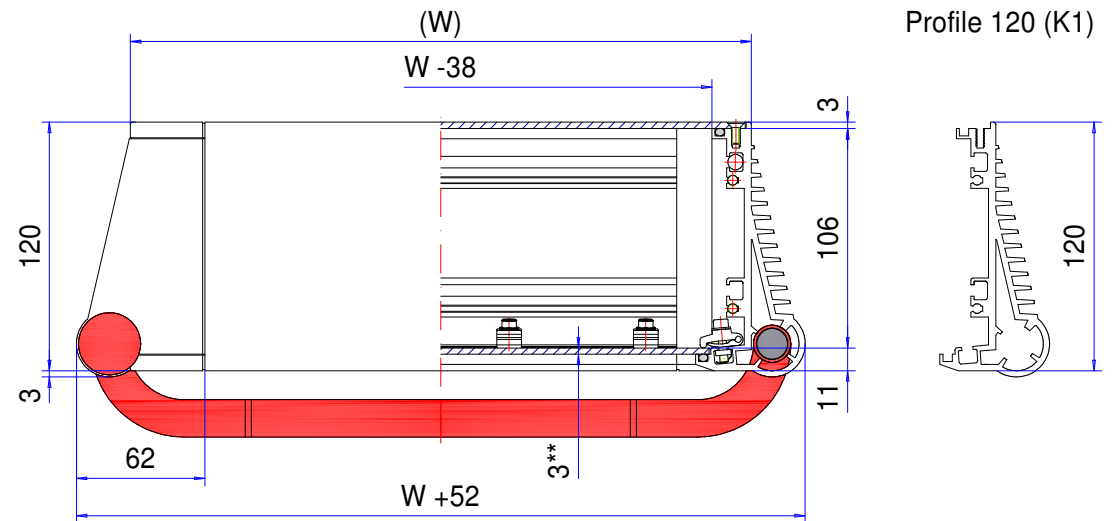
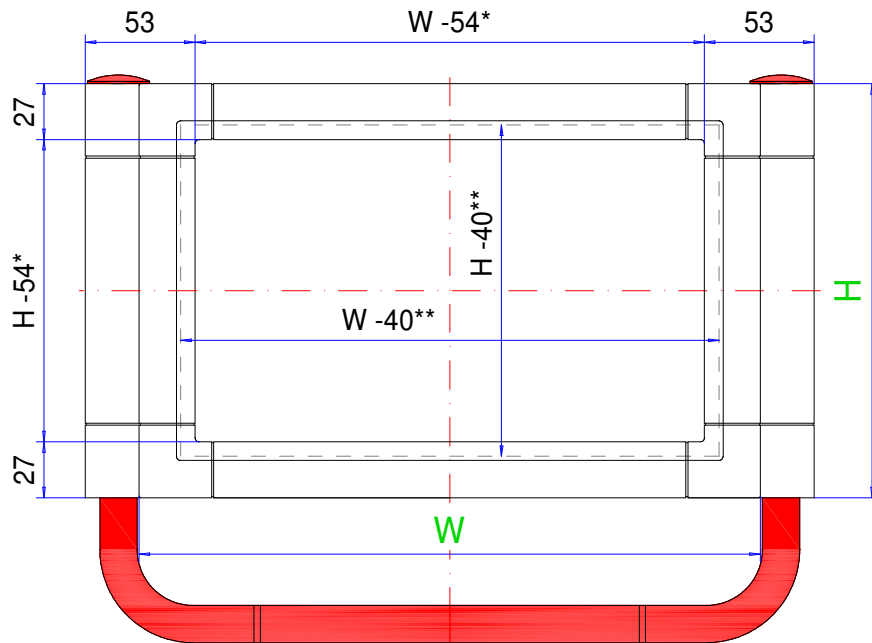


Enclosure series multiVISION Kommando

Type: MVK 01

Material-No.: MVK W x H x K1



* Visible front surface, ** front plate

Enclosure material	Extruded alu profile (Al Mg Si 0,5), corner element (Al Si 12)		Front plate	1x aluminium 3mm (Al Mg 1), silver anodized
Fastener	Screwed back panel		Back panel	1x aluminium 3mm (Al Mg 1), RAL 7040, window grey
Gasket	2x all-round seal, Chloroprene (CR)		Handle system (optional)	Steel tube, RAL 3020, traffic red
Ingress protection	IP65 EN 60529		Coating	Powder coating, RAL 7040, window grey
Weight	Varied depending on the configuration		Tolerance	DIN ISO 2768 m (outside dimensions ±1mm)