

**280.160.000**  
**aluDISC AR 160**



**technical data**

Material	Aluminium
Protection class	IP 66/67 EN 60529, IP 69K
Colour	RAL 7035 RAL 7035
Certifications	CSA (optional), GOST, UL (optional)
Length	190 mm
Width	179 mm
Height	90 mm
Weight (g)	1190 g
Country of manufacture	Germany
Customs tariff number	76169910

## aluDISC

AN ABSOLUTE ALL-ROUNDER IN EVERY RESPECT

### IP 66, IP 67 - Optional: IP 69K

aluDISC is the world's first round diecast aluminium enclosure for industrial electronics. The unique design integrates perfectly with machinery and piping systems. No matter if it is mounted on a wall, to a pipe system or a machine housing, the round aluDISC shape will always make a great impression.

Standard features include IP 66 and IP 67 protection classes, a recessed lid for fitting a membrane keypad or product label, snap-on design covers which hide the lid screws and mounting holes, lid retaining straps, an optional hinged IP 65 transparent cover and screw bosses in the base and lid for fitting PCBs, mounting plates etc. The enclosures can be mounted without opening the lid which means your electronics remain protected at all times. Matching cable glands and other accessories are also available.

We can supply aluDISC enclosures fully customised to your requirements.

Enclosure sizes  
4 sizes

Dimensions from: L x W x H

110 x 97 x 55 mm to 190 x 179 x 90 mm

#### Additional info

Integrated recess in the lid for a membrane keypad, front plate or label

For AR 120: Optional protective cover with hinge mechanism made from transparent polycarbonate (PC),

UV stabilised, UL 94 V-2 – 0,36 ~ 1,9 mm, HB > 1,9 mm, sealable

Clip-on design covers, plastic POM (polyoxymethylene), similar to RAL 7016 anthracite grey

Optional: Lid support, lid screw with plastic element made from stainless steel 1.4567 and polyamide (PA6)

#### Enclosure

Diecast aluminium alloy

EN AN-44300 DIN EN 1706

(GD Al Si 12/DIN 1725)

1° mould slope for casting ejection > internal circumference dimensions decrease by 1° towards enclosure bottom.

#### Fastening

Separate screw channels

#### Internal mounting

Fastening thread on the enclosure base and in the lid

Ingress protection  
IP 66, IP 67 / EN 60529

Optional: IP 69K / ISO 20653

Gasket  
Silicone moulded gasket, temperature resistance: -50°C to +140°C

Optional: Chloroprene O-ring gasket (CR), temperature resistance: -30°C to +90°C

Lid screws  
Stainless steel 1.4567, captive

Surface  
Powder coating RAL 7035, light grey

Optional: Special colours

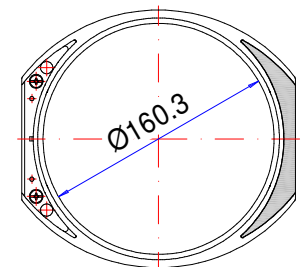
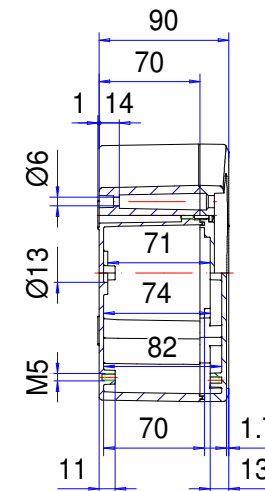
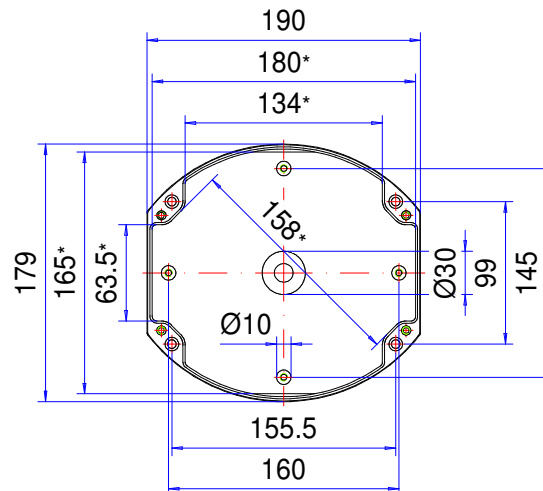
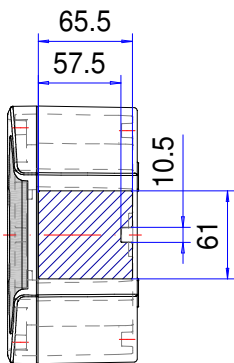
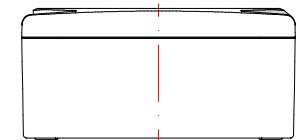
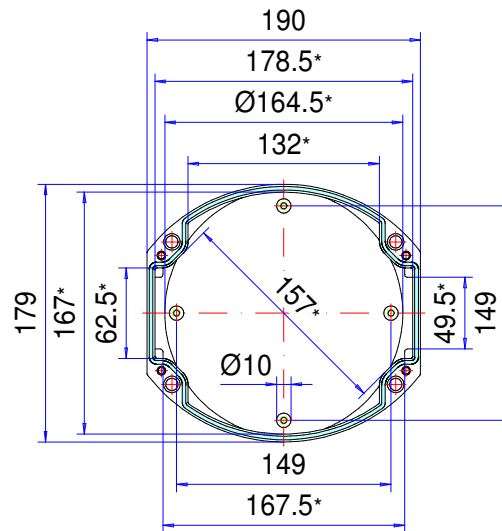
Optional: Corrosion protection

Customising  
Learn more about our full customising service for installation-ready enclosures

# Enclosure series aluDISC

Type: AR 160

Material-No.: 280.160.000



Folie/ Keypad  
Ø159.7<sup>+0</sup><sub>-0.2</sub>

\* Please note: Mould slope for casting ejection, dimensions in the amount of the bottom!

Enclosure material	GD- Al Si 12 (DIN 1725)		Ingress protection	IP66/67 EN 60529
Lid screws	4x stainless steel 1.4567 (V2A), captive		Weight	1.220 g
Assembly screws	5x M5x8, galvanized steel		Coating	Powder coating RAL 7035, light grey
Design covers	2x Polyoxymethylene (POM), RAL 7016, anthracite grey		Tolerance	GTA 13/5 DIN 1688-4 (outside dimensions ±0,5mm)
Gasket	1x moulded gasket, silicone, transparent			