

110.123.000
conFORM EK 123



technical data

Material	Aluminium
Protection class	IP 66/EN 60529, IP 67/EN 60529
Colour	Pebble grey RAL 7032
Certifications	CSA (optional), GOST, Germanischer Lloyd (optional)
Length	226 mm
Width	126 mm
Height	90 mm
Weight (g)	1386 g
Country of manufacture	Germany
Customs tariff number	76169910

conFORM

VERSATILE DIECAST ALUMINIUM ENCLOSURES WITH IN-BUILT EMC SHIELDING

IP 66, Optional: IP 67

conFORM is a highly versatile and economic range of EMC shielded aluminium enclosures with in-built shielding. The design does not require expensive and delicate conductive gaskets – continuous contact is created by means of a patented tooth system which is pre-cast into the lid and base.

The conFORM range is ideal for industrial electronics and controls that require special levels of shielding. The enclosures are water-tight and weather resistant to IP 66. Threaded screw bosses are provided inside for fitting circuit boards, mounting plates, terminal rails etc. Accessories such as mounting plates and cable glands are also available.

We can supply conFORM enclosures fully customised to your requirements.

Enclosure sizes
14 sizes

Dimensions: L x W x H

79 x 84 x 44 mm to 268 x 168 x 100 mm

Additional info

High shielding from radiation interference (EMC tested by the University of Hanover)

Inexpensive, as there is no need for expensive conductive gaskets

Large range of accessories

Enclosure

Diecast aluminium alloy:

EN AN-44300 DIN EN 1706

(GD Al Si 12/DIN 1725)

1° mould slope for casting ejection > internal circumference dimensions decrease by 1° towards enclosure bottom.

Fastening

Separate screw channels outside of the enclosure interior

Console panel integration with installation kit

Internal mounting

M4/M6 fastening thread on the enclosure base and attachment options in the lid

Ingress protection

IP 66 / EN 60529

Optional: IP 67 / EN 60529

Gasket

TPE moulded gasket, silicone-free, temperature resistance: -40°C to +120°C

Optional: Silicone gasket, temperature resistance: -50°C to +140°C

Lid screws

Stainless steel 1.4567, captive

Surface

Powder coating RAL 7032, pebble grey

Optional: Special colours

Optional: Corrosion protection

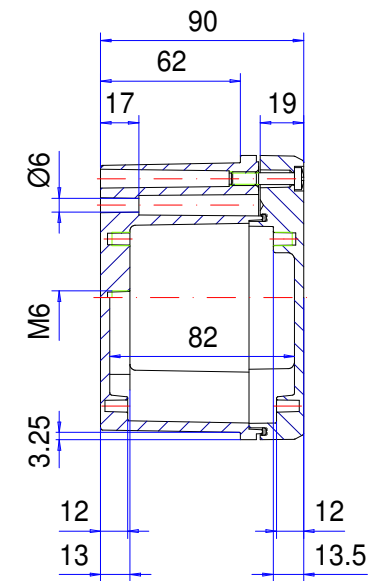
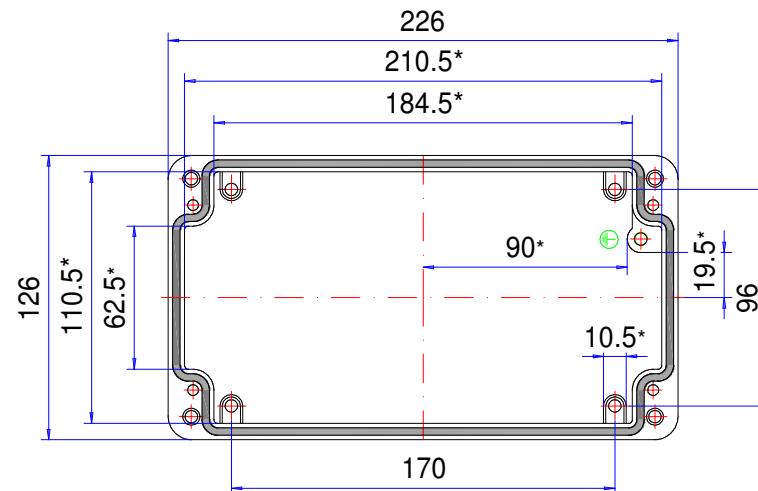
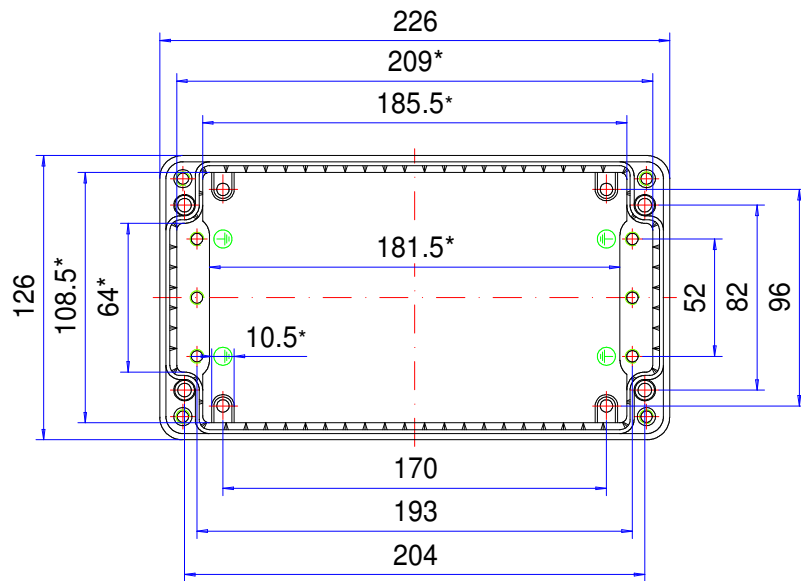
Customising

Learn more about our full customising service for installation-ready enclosures


Enclosure series conFORM

Type: EK 123

Material-No.: 110.123.000



* Please note: Mould slope for casting ejection, dimensions in the amount of the bottom!

Enclosure material	GD-AI Si 12 (DIN 1725)		Weight	1.386 g
Lid screws	4x stainless steel 1.4567 (V2A), captive		Earthing screws	5x M6x8, galvanized steel
Gasket	1x TPE moulded gasket, silicone-free, black		Coating	Powder coating RAL 7032, pebble grey
Ingress protection	IP66 EN 60529		Tolerance	GTA 13/5 DIN 1688-4 (outside dimensions ±0,5mm)