

**241.132.000**  
**aluSMART ASM 132**



**technical data**

|                        |  |
|------------------------|--|
| Material               | Aluminium                              |
| Protection class       | IP 66/EN 60529, IP 67/EN 60529, IP 69K |
| Colour                 | Light grey RAL 7035                    |
| Certifications         | GOST                                   |
| Length                 | 200 mm                                 |
| Width                  | 130 mm                                 |
| Height                 | 70 mm                                  |
| Weight (g)             | 1070 g                                 |
| Country of manufacture | Germany                                |
| Customs tariff number  | 76169910                               |

## **aluSMART**

### **PRACTICAL ALUMINIUM ENCLOSURES WITH STAINLESS STEEL MOUNTING DEVICE**

#### **IP 66, Optional: IP 67, 69K**

aluSMART is a further development of our aluCLIC quick-change diecast aluminium enclosures. However, these enclosures feature a screw-fitted mounting device rather than the snap-on device. The device can be easily fastened to a wall, ceiling or a machine housing. So aluSMART is practical, fast and neat to install.

Design features include a full sized recess in the lid to accommodate a membrane keypad, front plate or product label, and threaded screw bosses inside for mounting PCBs, terminal rails, mounting plates etc.

We can also supply aluSMART enclosures fully customised to your requirements.

Enclosure sizes  
3 sizes

Dimensions from: L x W x H

130 x 90 x 70 mm to 200 x 130 x 70 mm

#### Additional info

Integrated recess in the lid for membrane keypad or front plates

More space for the electronics

Enclosure front fully usable

Lid screwed on rear side

#### Enclosure

Diecast aluminium alloy

EN AN-44300 DIN EN 1706

(GD Al Si 12/DIN 1725).

1° mould slope for casting ejection > internal circumference dimensions decrease by 1° towards enclosure bottom.

#### Fastening

Stainless steel frame

#### Internal mounting

M5 fastening thread on the enclosure base and in the lid

#### Ingress protection

IP 66 / EN 60529

Optional: IP 67 / EN 60529

Optional: IP 69K / DIN 40050

Gasket

TPE moulded gasket, silicone-free, temperature resistance: -40°C to +120°C

Optional: Silicone gasket, temperature resistance: -50°C to +140°C

Lid screws

Stainless steel 1.4567, captive

Surface

Powder coating RAL 7035, light grey

Optional: Special colours

Optional: Corrosion protection

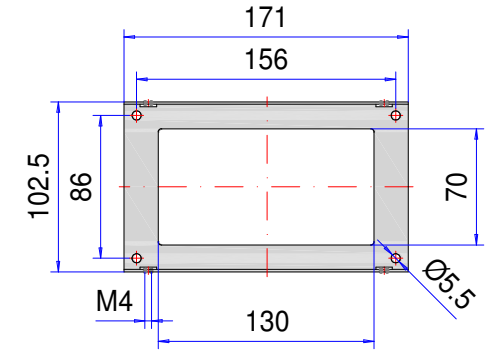
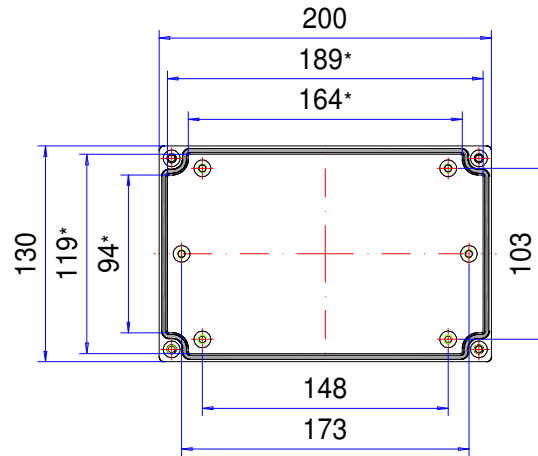
ROLEC service

Avail of our Full Service Offer for installation-ready enclosures

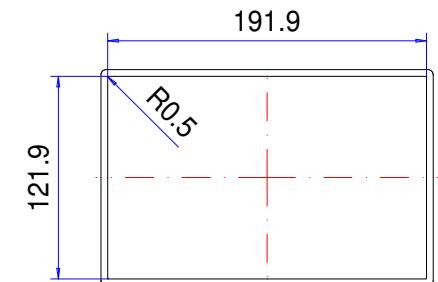
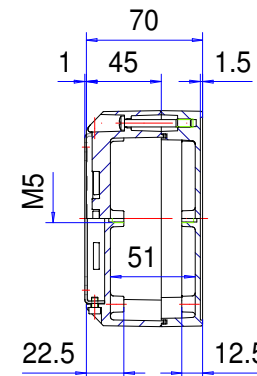
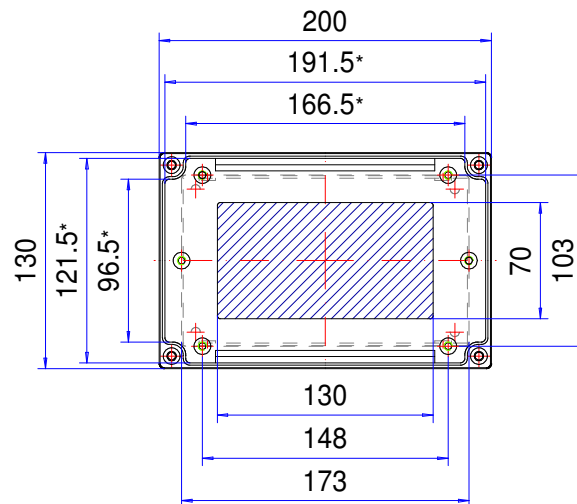
# Enclosure series aluSMART

Type: ASM 132

Material-No.: 241.132.000



Stainless steel bracket (t=1.5)



Folie/ Keypad  
121.3<sup>+0</sup><sub>-0.2</sub> x 191.3<sup>+0</sup><sub>-0.2</sub>

\* Please note: Mould slope for casting ejection, dimensions in the amount of the bottom!

|                    |   |  |                 |   |
|--------------------|---|--|-----------------|---|
| Enclosure material | GD-Al Si 12 (DIN 1725)                      |  | Vibration       | DIN EN 60068-2-6, inspection Fc, acceleration 4gn |
| Lid screws         | 4x stainless steel 1.4567 (V2A), captive    |  | Weight          | 1.110 g   |
| Gasket             | 1x TPE moulded gasket, silicone-free, black |  | Assembly screws | 5x M5x8, galvanized steel                         |
| Wall bracket       | 1x stainless steel, bare                    |  | Coating         | Powder coating RAL 7035, light grey               |
| Ingress protection | IP67 EN 60529                               |  | Tolerance       | GTA 13/5 DIN 1688-4 (outside dimensions ±0,5mm)   |