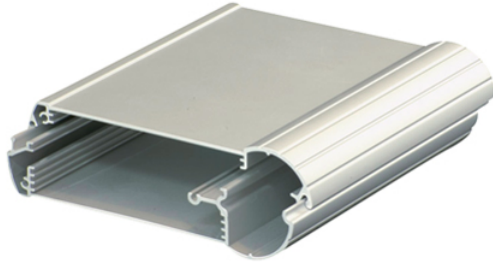


251.080.120
mobilCASE Profile P 80-2-120



technical data

Material	Aluminium
Protection class	IP 54/EN 60529
Colour	Profile surface Silver metallic silbermetallic
Certifications	GOST
Length	120 mm
Width	118 mm
Country of manufacture	Germany

mobilCASE

MODERN AND ERGONOMIC EXTRUDED ALUMINIUM HANDHELD ENCLOSURES

IP 54 / IP 65

mobilCASE is a modern and ergonomic range of extruded handheld enclosures which is ideal for handheld electronic instruments and mobile machine/robotic controllers. Three standard widths are available to suit a wide range of applications. The enclosures can be supplied in custom lengths on demand.

The assembly consists of an extruded case body, available as single or two part profiles for easy assembly of keypads, and tough diecast aluminium end caps which protect the unit when used indoors or outdoors. The cases are sealed to IP 54 or IP 65 protection classes. The case body is recessed on both sides for fitting a membrane keypad or product label. Optional battery holders for 2 or 4 AA cells can be located inside. Options include shoulder straps (PK) for easier transport, desktop tilt stands (ABF, ABK), an adapter (PG) for fitting two enclosures together, an M16 cable gland (KV), a hinged bracket (WH) and a holding bracket (CH).

We can supply mobilCASE enclosures fully customised to your requirements.

Enclosure sizes

3 standard widths (80, 100, 130mm) in 2 versions
Closed profile for insertion of circuit boards

Divided profile (lid and frame) for easy assembly of short stroke keyboards

Additional info

Integrated recess in the lid for membrane keypad or front plates

Flat end cover or end cover with collar to take plug sockets

Optional: Adapter with M16 cable gland for external power supply

Optional: Clip holder for setting down mobile devices at the wall or machine

Optional: Desk version for the combination of 2 profiles (also with different sections)

Optional: Shoulder strap with protective caps for mobile utilisation

Optional: Wall/desk fixation articulated with infinitely variable stand including flat end cover

Optional: Accumulator holder for 2 or 4 AA batteries

Material/colour

Extruded aluminium profile: AL Mg Si 0.5 / DIN 17615

Powder coating, silver metallic

Optional: Anodised

End cover (2 variants): Die-cast zinc alloy GD-Zn Al 4 Cu 1 / DIN EN 12844

Powder coating, RAL 9005, deep black

Optional: Special colours

Fastening

Optional: Clip holder for setting down devices at the wall or machine

Optional: Articulated wall/desk fixation including stand

Internal mounting

For circuit board widths 80/100 (Eurocard)/130mm

Ingress protection

Profile 1-part IP65 / EN 60529

Profile 2-part IP65 / EN 60529

Desk version IP 54 / EN 60529

Gasket

Lid: TPE moulded gasket, silicone-free, temperature resistance: -30°C to +100°C

Profile: Chloroprene O-ring gasket (CR), temperature resistance: -30°C to +90°C

Lid screws

Stainless steel 1.4567

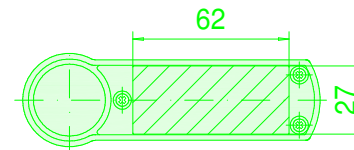
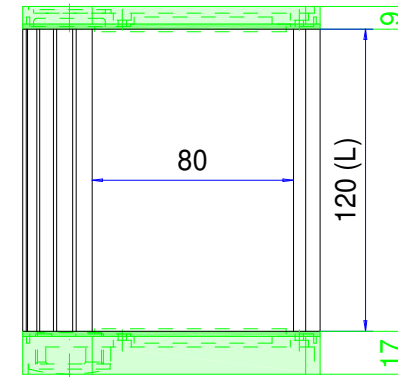
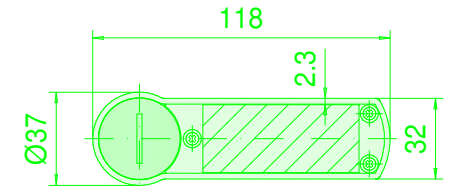
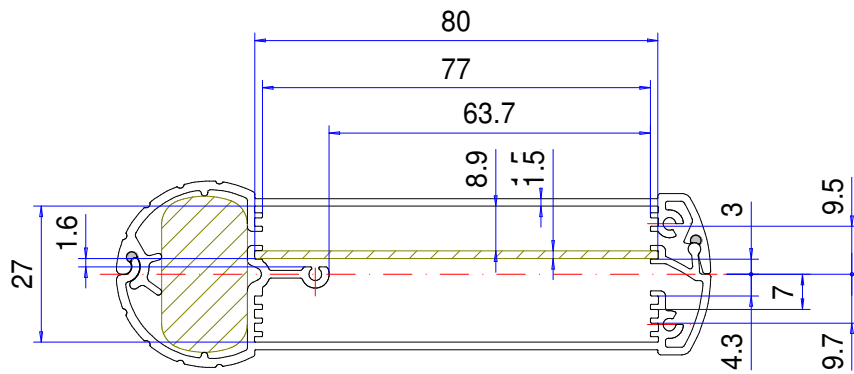
Customising


Learn more about our full customising service for installation-ready enclosures

Enclosure series mobilCASE

Type: P 080-2

Material-No.: 251.080.120, Length (L) of profile variable



Enclosure material	Al Mg Si 0.5 (DIN 17615)		Ingress protection	IP54 EN 60529
Lid material	GD-Zn Al 4 Cu 1 (DIN EN 12844)		Weight	Profile 1,716 kg/m
Lid screws	6x stainless steel 1.4567 (V2A), captive		Coating profile	Powder coating silver metallic
Gasket profile	2x Chloroprene (CR), light grey		Coating lid	Powder coating RAL 9005, black
Gasket lid	2x TPE moulded gasket, siliconefree, black		Tolerance	GTA 13/5 DIN 1688-4 (outside dimensions ±0,5mm)