

201.082.000
technoCASE TA 082



technical data

Material	ABS
Protection class	IP 66/EN 60529
Colour	Light grey RAL 7035
Certifications	GOST
Length	120 mm
Width	80 mm
Height	80 mm
Weight (g)	240 g
Country of manufacture	Germany
Customs tariff number	39269097

technoCASE

MULTIVARIABLE ENCLOSURES MADE FROM ABS WITH DESIGNER COVER STRIPS

IP 66 - Optional: IP 67

technoCASE is a modern range of plastic enclosures for industrial electronics and electrical equipment. The enclosures feature snap-on design strips which hide the lid screws and mounting channels, and give the enclosures their own individual appearance.

The design strips are available in light grey (standard), red, green, blue or yellow for individual colour coding or to match company colours. Both the lid and base have a recess for mounting a membrane keypad, face plate or product label. A large range of standard sizes is available. There is also an option to combine various lids and bottoms with each other, increasing the variety. Threaded screw bosses in the lid and base can be used for fitting circuit boards, mounting plates etc. Compatible cable glands, terminal rails and other accessories are also available.

We can supply technoCASE enclosures fully customised to your requirements.

Enclosure sizes
25 sizes

Dimensions L x W x H

80 x 80 x 60 mm to 360 x 240 x 160 mm

Further information
Integrated recess for membrane keypads or front plates

Functional and extensive range of accessories

Lid and bottom can be replaced if needed

Enclosure can be supplied as a flush-mounting, surface-mounting or top hat rail mounting model

Transparent lid available on request

Full protective insulation in accordance with VDE 0100

Enclosure
ABS halogen-free, similar to RAL 7035 light grey

1° mould slope for casting ejection

Special materials and colours on request

Flammability
UL 94 HB

Fastening
Separate screw channels outside of the enclosure interior.

Internal mounting

Fastening option for self-grooving screws on the base of the enclosure and in the lid

Ingress protection

IP 66 / EN 60529

Optional: IP 67 / EN 60529

Gasket

Silicone gasket, temperature resistance: -50°C to +140°C

Lid screws

Stainless steel 1.4567, captive

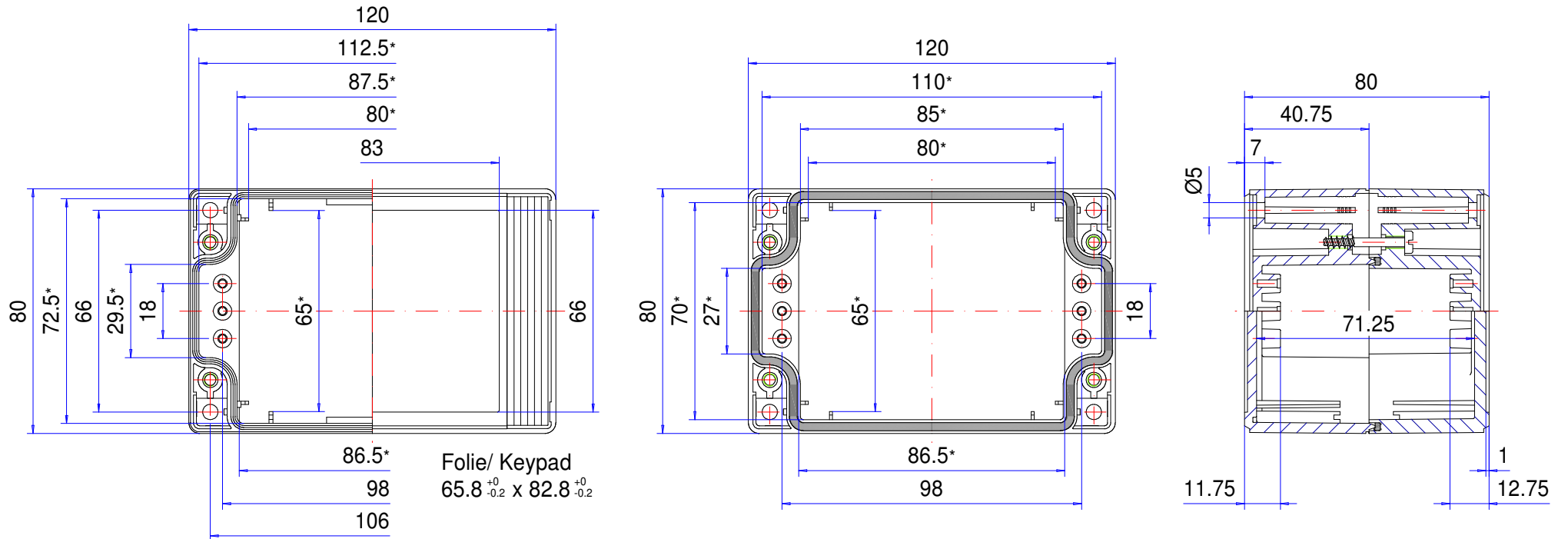
Customising

Learn more about our full customising service for installation-ready enclosures


Enclosure series technoCASE

Type: TA 082

Material-No.: 201.082.000



* Please note: Mould slope for casting ejection, dimensions in the amount of the bottom!

Enclosure material	ABS, UL 94 HB, RAL 7035, light grey		Weight	240 g
Lid screws	4x stainless steel 1.4567 (V2A), captive		Assembly screws	4x KBL $\varnothing 3 \times 8,5$, galvanized steel
Gasket	1x moulded gasket, silicone, black		Surface	Mirror finished
Ingress protection	IP66 EN 60529		Tolerance	DIN ISO 16901 T-130 (outside dimensions $\pm 0,5\text{mm}$)