

**220.102.000**  
**technoBOX TBA 102**



**technical data**

Material	ABS
Protection class	IP 66/EN 60529
Colour	Light grey RAL 7035
Certifications	GOST
Length	151 mm
Width	101 mm
Height	60 mm
Weight (g)	230 g
Country of manufacture	Germany
Customs tariff number	39269097

## **technoBOX**

MODERN AND LOW COST ENCLOSURES FOR ELECTRONICS AND ELECTRICAL DEVICES

### **IP 66**

technoBOX is a modern and inexpensive range of plastic enclosures for all types of electronics and electrical equipment. It is moulded in tough and long life ABS. The bevelled lid gives the housing an attractive appearance. A recess is provided in the lid for fitting a membrane keypad, front plate or product label. Threaded screw bosses in the lid and base can be used for fitting circuit boards, mounting plates, terminal rails etc. Mounting plates, front plates, cable glands and other accessories are also available.

We can supply technoBOX enclosures fully customised to your requirements.

Enclosure sizes  
10 sizes

Dimensions L x W x H

66 x 51 x 35 mm to 241 x 161 x 80 mm

Further information  
Alternative Design due to slanted lid edges

Fastening points compatible with standard enclosures

Integrated recess in the lid for membrane keypad or front plates

Optional: External mounting brackets which can be turned by 90°

Full protective insulation in accordance with VDE 0100

Enclosure  
ABS halogen-free, similar to RAL 7035 light grey

1° mould slope for casting ejection > internal circumference dimensions decrease by 1° towards enclosure bottom.

Special materials and colours on request

Flammability  
UL 94 HB

Fastening  
Separate screw channels outside of the enclosure interior.

Internal mounting  
Fastening option for self-grooving screws on the base of the enclosure and in the lid

Ingress protection  
IP 66 / EN 60529

#### Gasket

Chloroprene O-ring gasket (CR), temperature resistance: -30°C to +90°C

#### Lid screws

Stainless steel 1.4567, captive

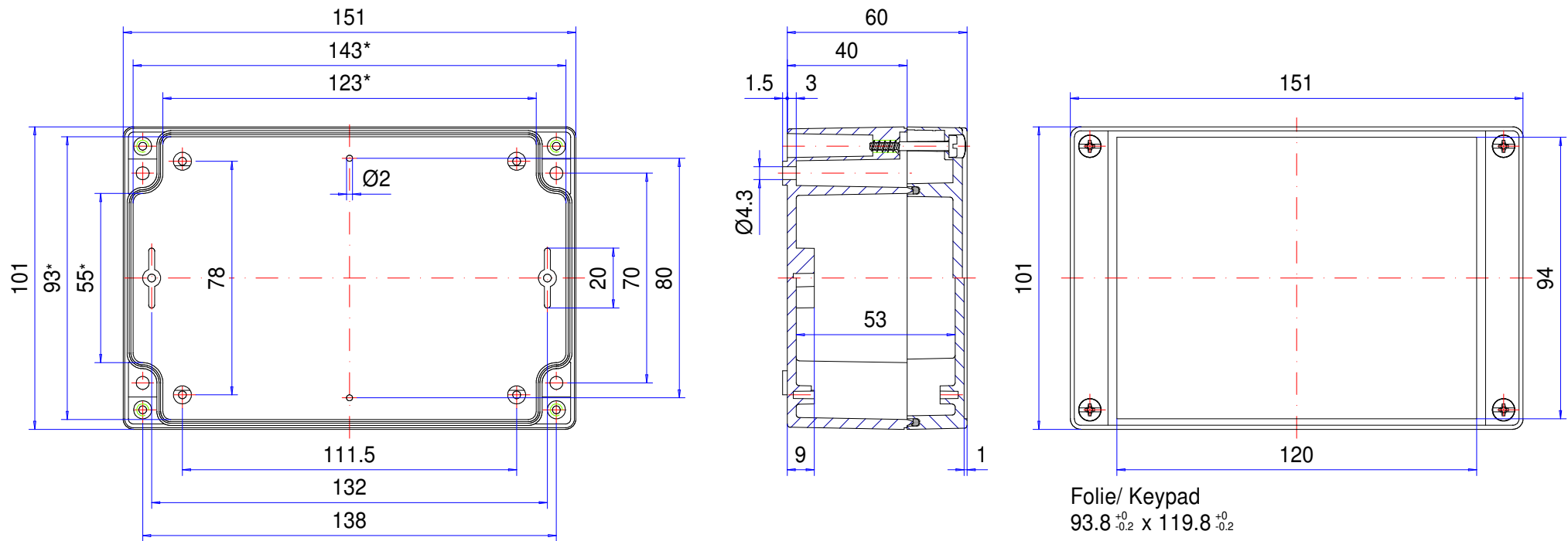
#### Customising

Learn more about our full customising service for installation-ready enclosures


# Enclosure series technoBOX

Type: TBA 102

Material-No.: 220.102.000



\* Please note: Mould slope for casting ejection, dimensions in the amount of the bottom!

Enclosure material	ABS, UL 94 HB, RAL 7035, light grey		Weight	230 g
Lid screws	4x stainless steel 1.4567 (V2A), captive		Assembly screws	4x KBL Ø3x6, galvanized steel
Gasket	1x Chloroprene (CR), light grey		Surface	Mirror finished
Ingress protection	IP66 EN 60529		Tolerance	DIN ISO 16901 T-130 (outside dimensions $\pm 0,5\text{mm}$ )