

MVD-09
multiVISION-Display MVD-09 180/180 mm



technical data

| | |
|------------------------|-------------------|
| Material | Aluminium |
| Protection class | IP 65 EN 60529 |
| Colour | RAL 7040 RAL 7040 |
| Certifications | GOST |
| Country of manufacture | Germany |
| Customs tariff number | 76169910 |

multiVISION Display

VARIABLE DISPLAY AND COMMAND ENCLOSURES MADE FROM ALUMINIUM PROFILES

IP 65

multiVISION Display is a versatile display enclosure made from aluminium profiles. The enclosures are available in nine depths using a combination of three different case profiles. Each enclosure is made to order to the exact customer width and height requirements and machined with holes and cutouts to suit. The front panel can be used to mount various assemblies including membrane keypads, displays and touch panels. Hinges and a lock can be fitted to the rear for quick access inside. An optional handle system enables easy positioning when the unit is fitted to a suspension arm.

multiVISION Display is compatible with all ROLEC suspension arm systems.

Enclosure sizes

Made to customer required sizes

L x W x H max. 800 x 800 x 360 mm

Additional info

Versatile display and operating enclosure

Articulated front and rear wall door

Dimensions as per customer requirements

Assembly of front plates without visible screws

Enclosure

Extruded aluminium

Door: Aluminium corner pieces mounted with aluminium profiles

Standard front plates: Aluminium 3 mm, Al Mg 1, silver anodised

Optional: Finished front plates, bored, stamped, engraved or printed

Membrane keypads ready for installation

Optional handle frame: Steel pipe, powder coated, RAL 3020, traffic red or RAL 9005, deep black

Enclosure lock: Double bit, triangular, square and special locks also possible

Fastening

On a ROLEC suspension arm system or with external mounting brackets

Internal mounting

Slide-in contour for spring nuts M4/M5

Ingress protection
IP 65 / EN 60529

Gasket

Enclosure: Chloroprene profile gasket (CR), temperature resistance: -30°C to +90°C

Front plate: Chloroprene O-ring gasket (CR), temperature resistance: -30°C to +90°C

Surface

Powder coating RAL 7040, window grey

Optional: Special colours

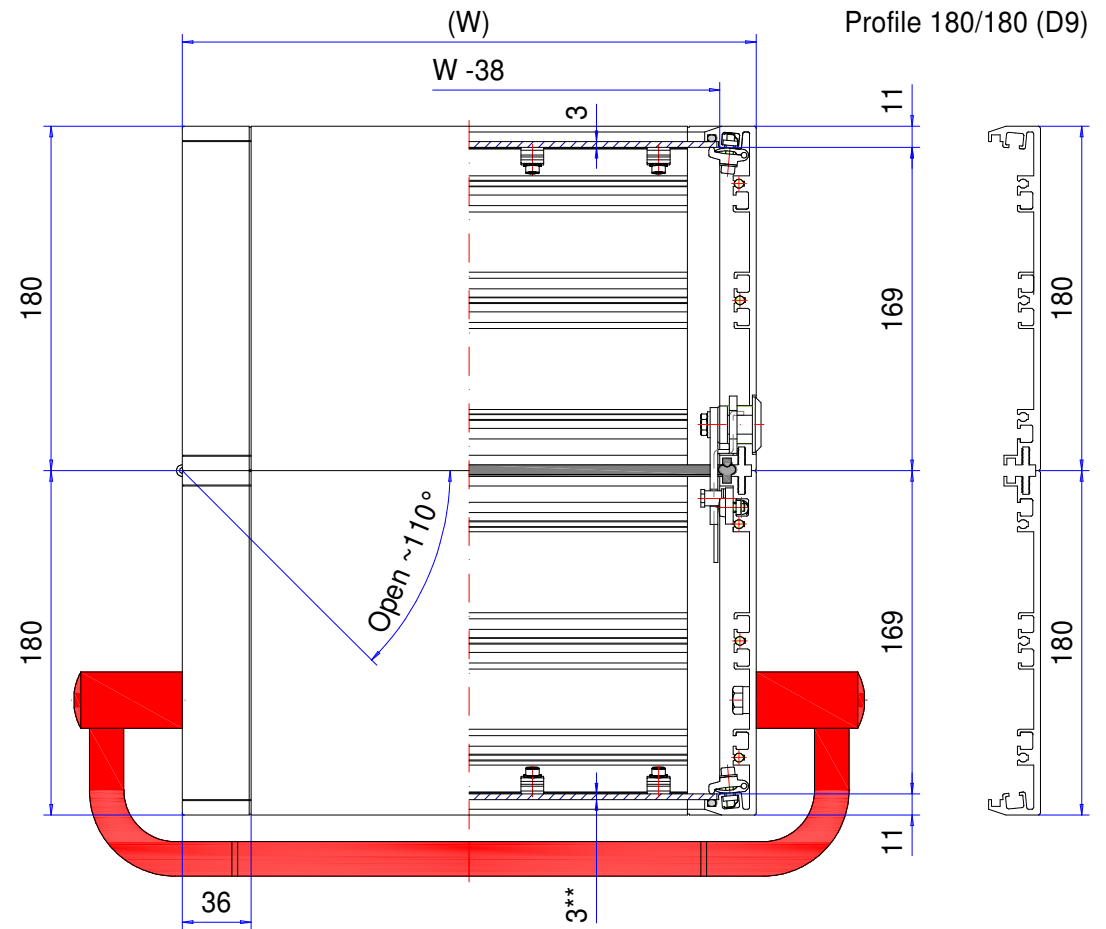
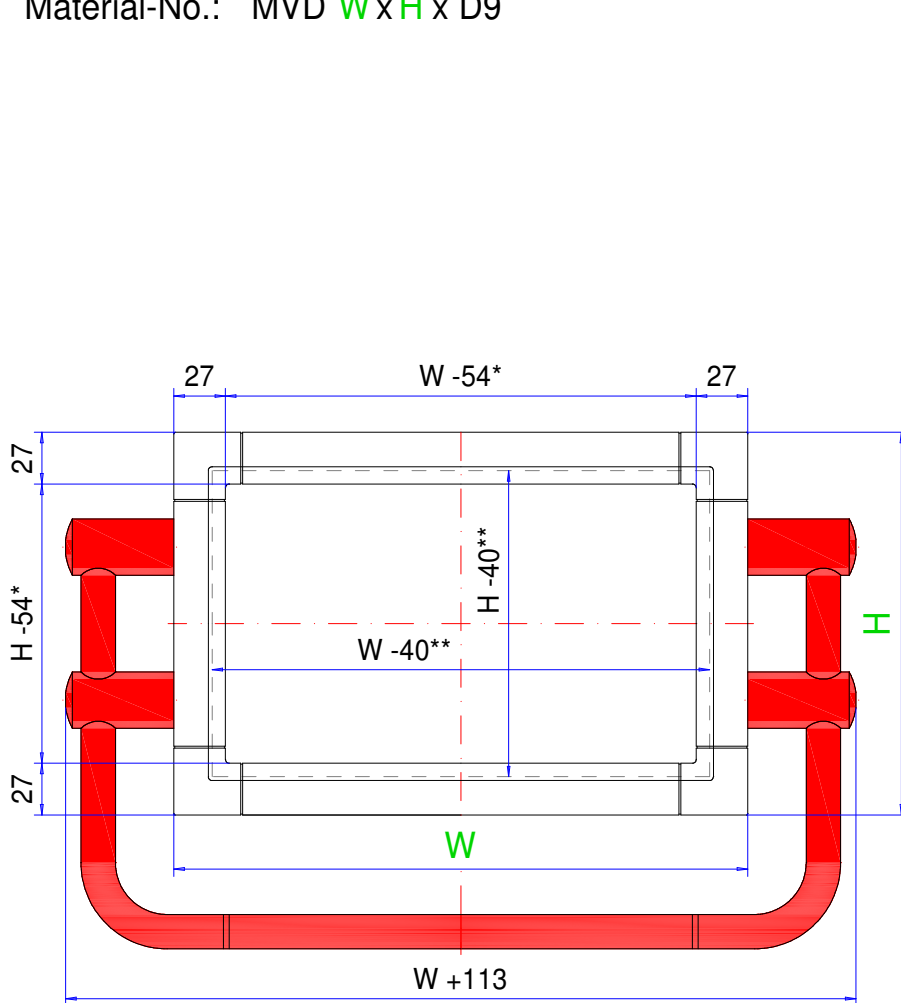
Customising

Learn more about our full customising service for installation-ready enclosures

Enclosure series multiVISION Display

Type: MVD 09

Material-No.: MVD W x H x D9



* Visible front surface, ** front plate

| | | | | |
|--------------------|--|---|--------------------------|---|
| Enclosure material | Extruded alu profile (Al Mg Si 0,5), corner element (Al Si 12) |  | Front plate | 1x aluminium 3mm (Al Mg 1), silver anodized |
| Fastener | 1x lock, 2x hinge | | Back panel | 1x aluminium 3mm (Al Mg 1), RAL 7040, window grey |
| Gasket | 2x all-round seal, 2x profile seal, Chloroprene (CR) | | Handle system (optional) | Steel tube, RAL 3020, traffic red |
| Ingress protection | IP65 EN 60529 | | Coating | Powder coating, RAL 7040, window grey |
| Weight | Varied depending on the configuration | | Tolerance | DIN ISO 2768 m (outside dimensions ±1mm) |