

**330.060.AAA**  
**PPD 60 Basis**



**technical data**

Material	Extruded aluminium
Protection class	IP 65 EN 60529
Colour	Anodised silver silber eloxiert, Light grey RAL 7035
Certifications	GOST, UL (optional)
Country of manufacture	Germany
Customs tariff number	76169910

## **profiPANEL** DESIGN COMMAND ENCLOSURE

### **Up to IP 65**

Thanks to the option of combining the three basic profile depths, profiPANEL enables a total of eight mounting depths to be provided for (PPD 150 is available, as required, as a basic profile or as a profile combination consisting of a 90 mm and a 60 mm basic profile). The connection of 60 or 90 mm deep desk also offers additional options for extended internal mounting. Thanks to this wide range of depths, profiPANEL therefore enables almost every conceivable configuration for the internal mounting of components to be realised. The enclosure front of the profiPANEL system is manufactured made-to-measure and provides for the almost edgeless and flush mounting of a front plate, which is permanently connected to the enclosure. Appropriate cut-outs for a display, switches and more are included in the service provided by ROLEC and are produced ex-works to meet customer specifications. A desk is a clever solution when there's not enough space in the control enclosure or you need additional buttons. The profiPANEL series therefore includes two desk models, 60 and 90 mm deep (D), for internal mounting. The desk adapter offers plenty of space for routing HDMI or DVI cables or network plugs. The desk is 200 mm high ex works. Non-standard dimensions are available on request. The rear wall of the desk is bolted on as standard. An ergonomically designed profile handle system is available for even more convenient handling, particularly with the deeper profile versions. There is also a 450-mm wide latching keyboard holder as an alternative to the desk, which can be enhanced and/or extended by an additional mouse holder.

#### Enclosure sizes

Made-to-measure as per customer's needs

L x W x H max. 150 x 150 x 360 mm

800 x 800 x 60-300 mm

#### Additional information

Minimalist, multi-variable design for modern machines

Profile enclosure – made-to-measure

Three basic profiles (60/90/150 mm). Eight enclosure depths: 60/90/120/150/180/210/240/300 mm

Front plate is permanently connected to the enclosure, mounted almost edgeless and flush

#### Enclosure

Extruded aluminium

PA corner covers, RAL 7035, 9005, 3020 or 5017

Standard front plates: aluminium 3 mm, Al Mg 1, silver anodised

Optional: Finished front plates, lasered, engraved or printed

Optional: Profile handle, PA, RAL 7035, extruded aluminium

Enclosure lock Basic profiles: locks and exterior hinges, optionally bolted

Enclosure lock profile combinations: locks and exterior hinges

#### Fastening

Basic profile with panel coupling, all other profiles with coupling on the ROLEC suspension arm system profiPLUS 50

#### Internal mounting

Slide-in contour for spring nuts M4/M5



Ingress protection  
Up to IP 65 / EN 60529

Coating  
Anodised

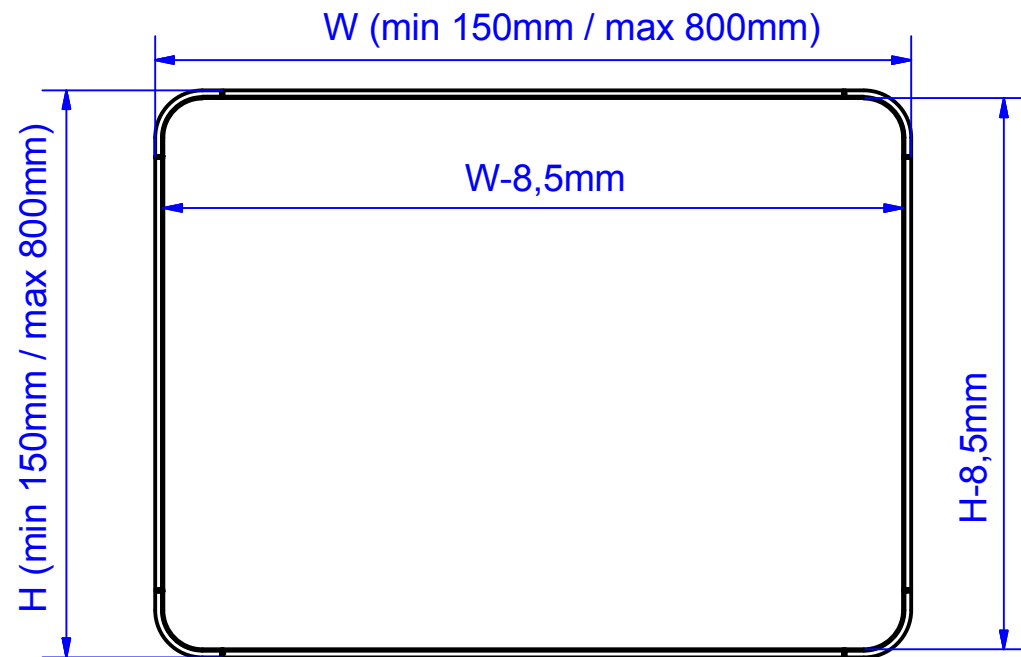
ROLEC service  
Avail of our Full Service Offer for installation-ready enclosures

Configuration  
Use our handy enquiry form to configure your individual control enclosure

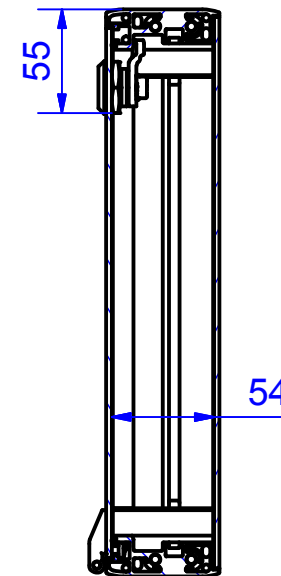
profiPANEL

type PPD 60 basic

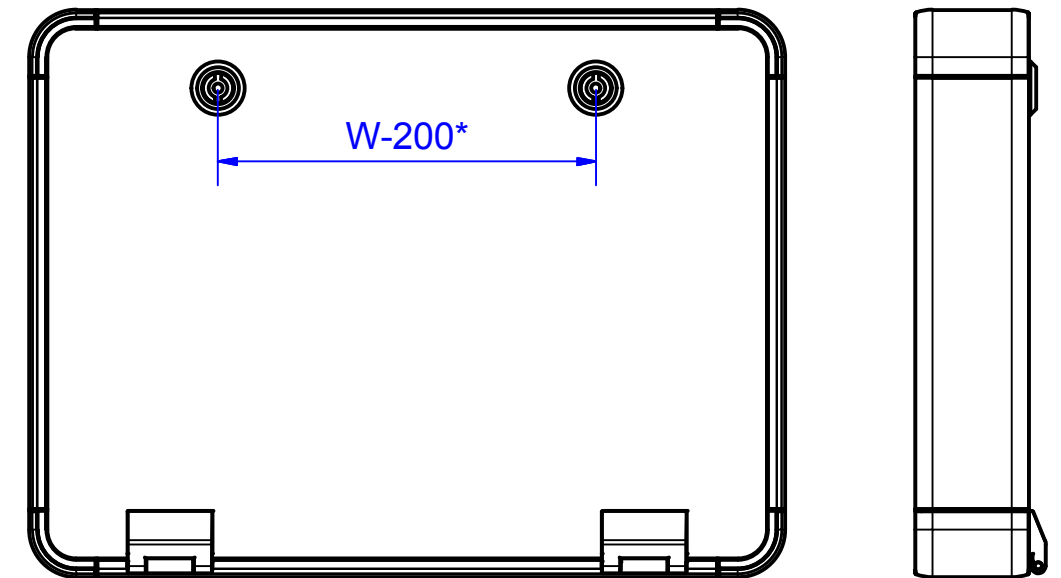
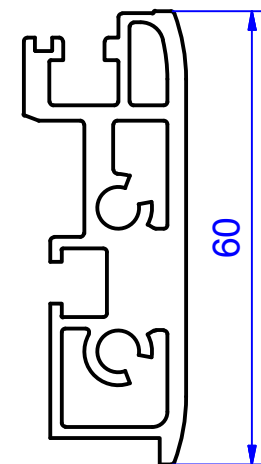
article-no.: 330.060.AAA



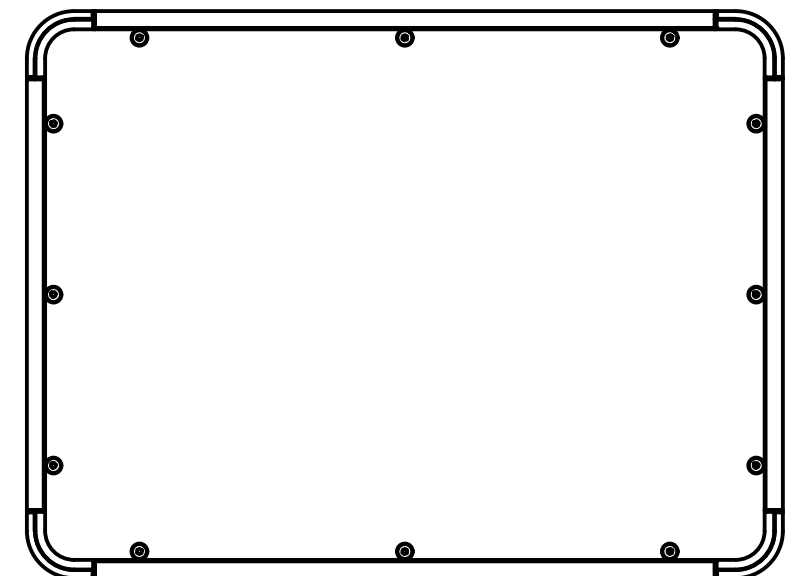
front panel



profile 60



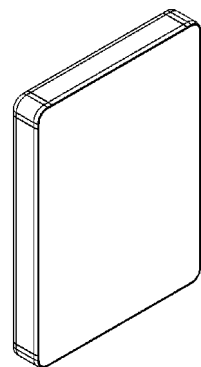
rear panel



optional rear panel

useable front-plate area= nominal size -50 mm  
area reduction generated by lock and hinge combination

\*1 lock for dimension H or W < 400 mm  
2 locks for dimension H or W ≥ 400 mm  
Locks and hinges always on the longer side.



enclosure material	aluminium profile (AlMgSi0,5) anodized , corner (AlSi 12)		front panel	aluminium 3mm, anodized
rear panel	hinges and locks; optionally screwed		corner covers	PA RAL 7035
protection class	IP65 EN 60529		tolerances	outside dimension+/-1mm; others DIN 2768-m
weight	depends on configuration			