

321.150.AAA
MPK 15 - 15mm framed deeper door



technical data

Material	Aluminium
Protection class	IP 65 EN 60529
Colour	Deep black RAL 9005
Certifications	GOST, UL (optional)
Customs tariff number	76169910

multiPANEL

ADVANCED PREMIUM COMMAND ENCLOSURES FOR MODERN MACHINE CONTROL

IP 65

multiPANEL offers the option of integrating every conceivable application. The enclosure front of the »multiPANEL DISPLAY« facilitates the permanent installation of a front plate or glass front, e.g. for touch applications. Almost borderless, with flush installation and permanently connected with the enclosure. Suitable cut-outs for switches and more are included in the service provided by ROLEC, and are established in the production department at the German headquarters in accordance with customer specifications. It is possible to directly integrate commercially available built-in panels in the front of the »multiPANEL KOMMANDO« enclosure. A small recess in the framework enables almost flush integration of the PC here. Furthermore, front plates can be inset in the frame from the front or rear, and fastened in place with clamping pieces. The combination of direct panel installation and a part front plate is also possible.

With the flat multiPANEL 70 version, the rear wall is optionally available with a flush rear wall, which can be supplied as a fully bolted version or with hinges where required. A robust, 15mm deep, framed door including lock and internal hinges offers a greater installation depth. This results in a multiPANEL enclosure depth of 85mm. Furthermore, a 60mm deep framed door version is also available for an even greater enclosure depth, which is also equipped with a lock and internal hinges. The total depth with this version is 130mm. Internal mountings can naturally also be installed in the door. For this purpose, stays are fitted inside the door on request by the customer, in preparation for the technical installation. Furthermore, a circumferential groove is available inside the 60mm deep door, for mounting clamping pieces.

Enclosure sizes

Made to customer required sizes

L x W x H max. 800 x 800 x 70/85/130 mm

Additional infos

Puristic, multi-variable design for modern machines
Profile enclosure – produced to the precise millimetre
Three enclosure depths: 70, 85 and 130 mm
Five front installation options
Direct access possible with three door designs

Material/Colour

Extruded aluminium

Aluminium corner pieces mounted with aluminium profiles

Standard front plates: Aluminium 3 mm, Al Mg 1, silver anodised

Optional: Finished front plates, lasered, engraved or printed

Membrane keypads ready for installation

Optional handle: POM RAL 9005, with stainless steel inlay V2A

Enclosure lock: rear wall bolted (only MPD 00 and MPK 00), lock and hinge, black

Fastening

With the suspension arm system profiPLUS 50 Panel coupling

Internal mounting
Slide-in contour for spring nuts M4/M5

Ingress protection
IP 65 / EN 60529

Gasket

Surface
Powder coating RAL 9005 Deep black, fine structure

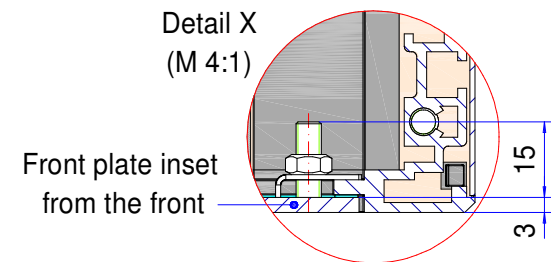
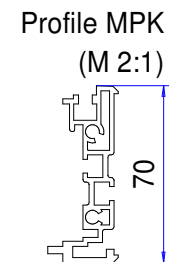
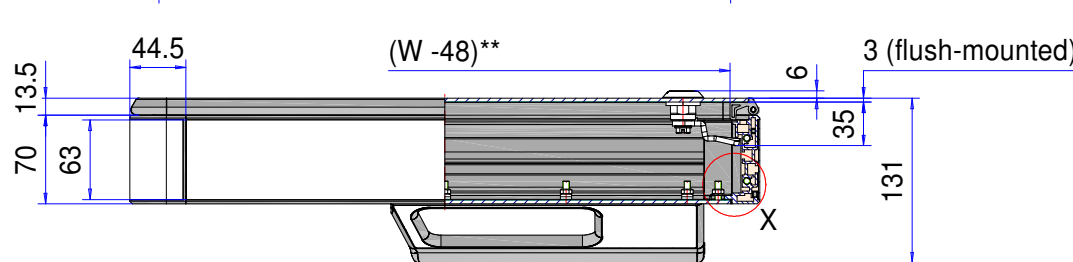
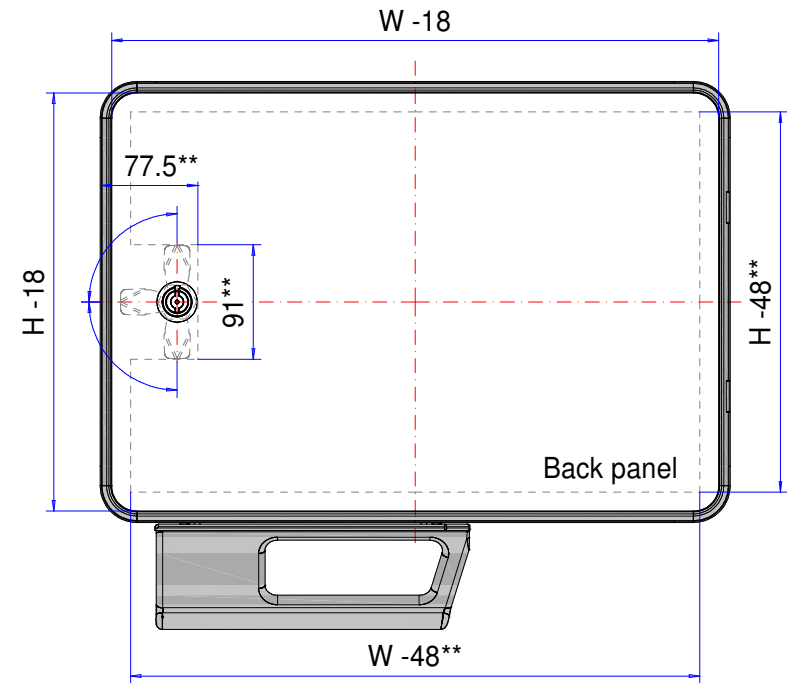
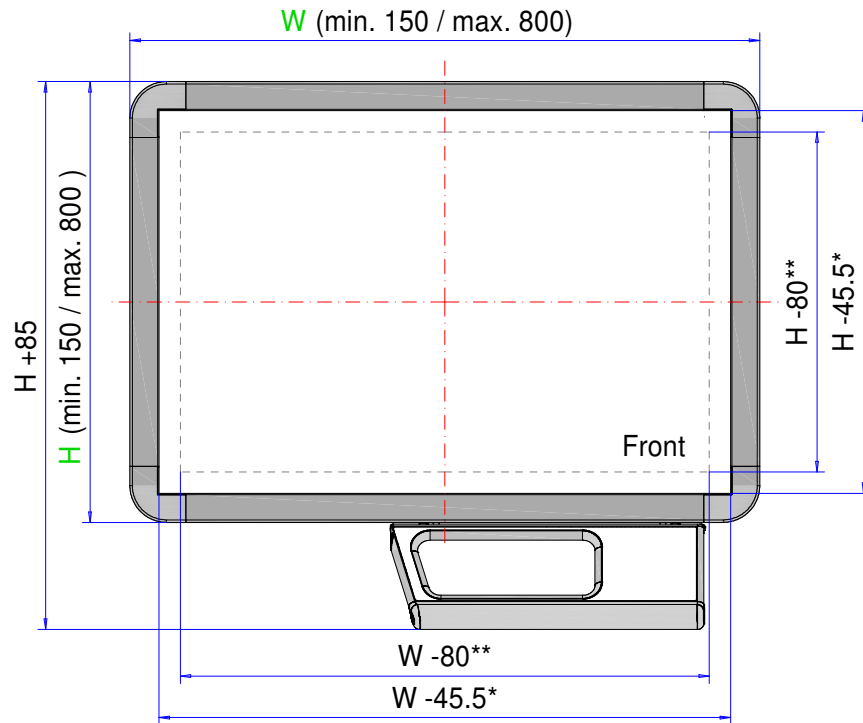
Optional: other colours

Customising
Learn more about our full customising service for installation-ready enclosures


Enclosure series multiPANEL Kommando

Type: MPK 15

Material-No.: 321.150.AAA



* Visible front surface, ** utilization area

Enclosure material	Alu profile (Al Mg Si 0,5), corner element (Al Si 12)		Front versions (optional)	Aluminium front plate, direct installations
Fastener	Hinges and double-bit fastener		Back panel	1x aluminium-profile, -corner element, -plate, RAL 9005, black
Gasket	2x dosed gasket, silicone		Handle system (optional)	Polyamide black, stainless steel brushed
Ingress protection	IP65 EN 60529		Corpus	Decor inlay: stainless steel brushed, enclosure: RAL 9005, black
Weight	Varied depending on the configuration		Tolerance	DIN ISO 2768 m (outside dimensions ±1mm)