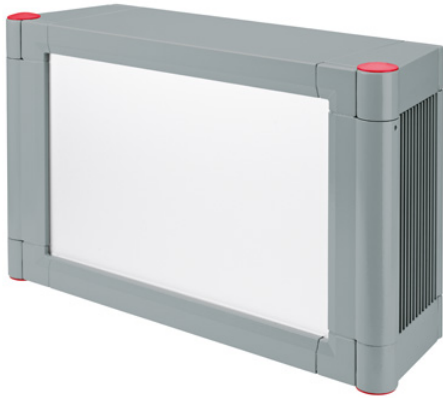


## MVK-01 multiVISION-Kommando MVK-01 120 mm



### technical data

Material	Aluminium
Protection class	IP 65 EN 60529
Colour	RAL 7040 RAL 7040
Certifications	GOST
Country of manufacture	Germany
Customs tariff number	76169990

## multiVISION Kommando

### VARIABLE DISPLAY AND COMMAND ENCLOSURES MADE FROM ALUMINIUM PROFILES

#### IP 65

multiVISION Kommando is a range of command enclosures made from aluminium profiles. The enclosures are highly versatile and robust, and being made-to-measure, allow maximum flexibility for housing machine control equipment.

The enclosure assembly consists of aluminium profiles, in three different sizes, that are combined to give different case depths and front and rear formats. Each multiVISION enclosure is made to order to the exact customer width and height requirements and machined with holes and cutouts to suit. The front panel can be used to mount various assemblies including membrane keypads, displays and touch panels. The enclosures can be hinged with a lock for easy access inside. Optional handle bars can also be fitted for positioning when the enclosure is fitted to a suspension arm. A desk version can also be supplied (with separate display and operating enclosure).

multiVISION Kommando is compatible with all ROLEC suspension arm systems.

#### Enclosure sizes

Made to customer required sizes

L x W x H max. 800 x 800 x 300 mm

#### Additional info

Versatile control and command enclosure

Articulated front and rear wall door

Assembly of front plates without visible screws

#### Enclosure

Extruded aluminium

Door: Aluminium corner pieces with aluminium profiles

Standard front plates: Aluminium 3 mm, Al Mg 1, silver anodised

Optional: Finished front plates, bored, stamped, engraved or printed

Optional handle frame: Steel pipe, powder coated, RAL 3020, traffic red or RAL 9005, deep black

Enclosure lock: Double bit, triangular, square and special locks also possible

#### Fastening

To a ROLEC suspension arm system or external mounting brackets

#### Internal mounting

Slide-in contour for spring nuts M4/M5

Ingress protection  
IP 65 / EN 60529

Gasket  
Enclosure and front plate: Chloroprene O-ring gasket (CR), temperature resistance: -30°C to +90°C

Surface  
Powder coating RAL 7040, window grey

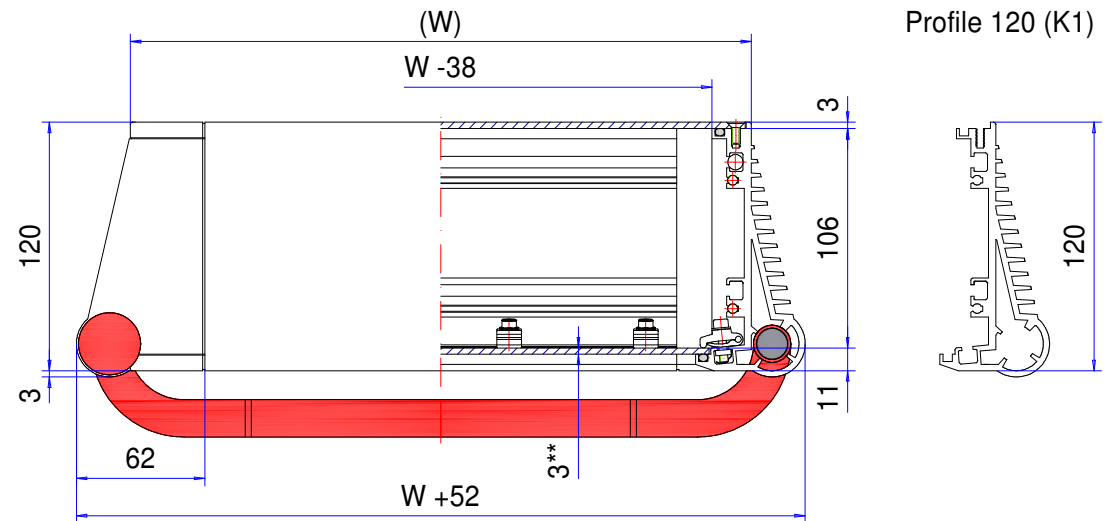
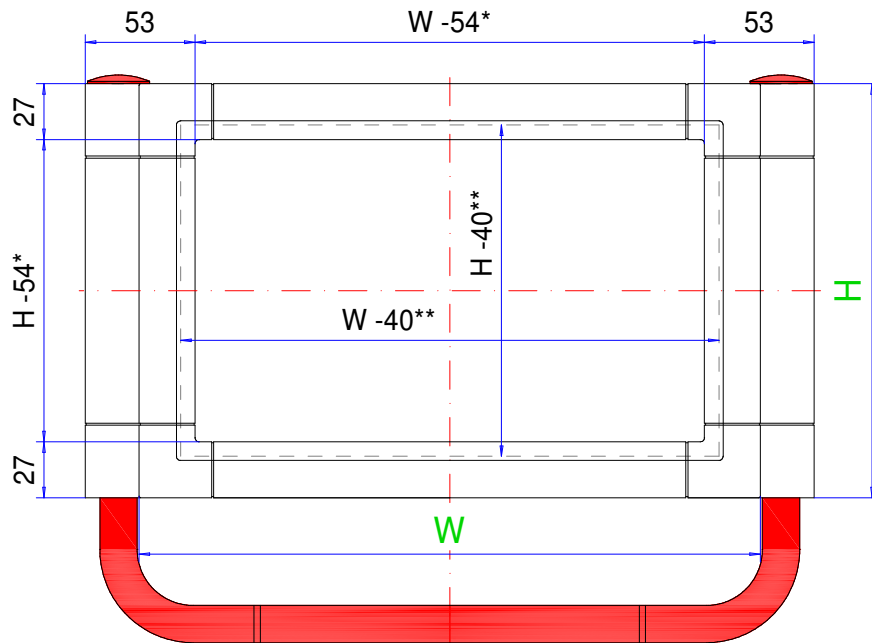
Optional: Special colours

Customising  
Learn more about our full customising service for installation-ready enclosures

# Enclosure series multiVISION Kommando

Type: MVK 01

Material-No.: MVK W x H x K1



\* Visible front surface, \*\* front plate

Enclosure material	Extruded alu profile (Al Mg Si 0,5), corner element (Al Si 12)		Front plate	1x aluminium 3mm (Al Mg 1), silver anodized
Fastener	Screwed back panel		Back panel	1x aluminium 3mm (Al Mg 1), RAL 7040, window grey
Gasket	2x all-round seal, Chloroprene (CR)		Handle system (optional)	Steel tube, RAL 3020, traffic red
Ingress protection	IP65 EN 60529		Coating	Powder coating, RAL 7040, window grey
Weight	Varied depending on the configuration		Tolerance	DIN ISO 2768 m (outside dimensions ±1mm)