

## RGS.ADI.300-W ADI 300-W with wall-/desk fixation



### technical data

Material	Aluminium
Protection class	IP 54/EN 60529
Colour	Profile surface Anodised silver Anodised silver, Closing lid surface Deep black RAL 9005, Coupling tube Light grey RAL 7035
Certifications	GOST
Weight (g)	1 g
Country of manufacture	Germany
Customs tariff number	76169910

## **aluDISPLAY**

### DESIGNER DISPLAY ENCLOSURES MADE FROM ALUMINIUM PROFILES

#### **IP 54**

aluDISPLAY is a modern and versatile range of display and command enclosures available in three standard widths. The enclosures are ideal for electronic controls and operating units with flat displays and modules.

The attractive design has many useful features including extruded guide rails inside for fitting slide-in PCBs and modules. Assemblies and components can also be fitted with spring nuts. The front panel is suitable for mounting a membrane keypad, keyboard or touch panel. Assembly or removal of the enclosure is extremely quick thanks to snap-on cover profiles. These enclosures can be connected to our taraPLUS suspension arm system using the compatible end cover.

We can supply aluDISPLAY fully customized to your requirements.

#### Enclosure sizes

3 profile sizes: 180mm/240mm/300mm

Custom lengths can be supplied to customer requirements

#### Additional info

Versatile display and operating enclosure for flat modules

Simple and quick mounting of internal mountings without dismantling the basic enclosure

Front plates without visible screws

Standard model with 2 closed end covers

Optional: Wall/desk fixation, articulated

Optional: Preparation for attachment to the suspension arm system taraPLUS

#### Enclosure

Profile: Extruded aluminium profile, AL Mg Si 0.5 / DIN 17615

Lid: Die-cast aluminium alloy, EN AC-44300 DIN EN 1706 (GD Al Si 12/DIN 1725)

Standard front plates: Aluminium 3 mm, Al Mg 1, silver anodised

#### Fastening

To the ROLEC suspension arm system taraPLUS or with optional wall/desk fixation

#### Internal mounting

Slide-in contour for spring nuts M4/M5

#### Ingress protection

IP 54 / EN 60529

#### Gasket

Lid: TPE moulded gasket, silicone-free, temperature resistance: -30°C to +100°C

Profile: Chloroprene O-ring gasket (CR), temperature resistance: -30°C +90°C

#### Lid screws

Stainless steel 1.4567

#### Surface

Profile: Anodised silver

Lid: Powder coating RAL 9005 black

Wall holder: RAL 9005 black.

Coupling pipe: Powder coating RAL 7035, light grey

Optional: Special colours

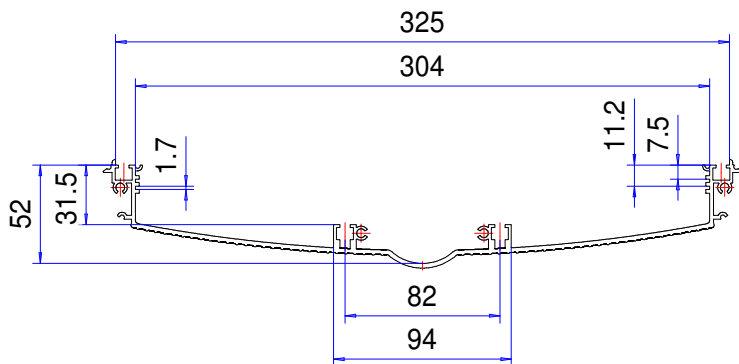
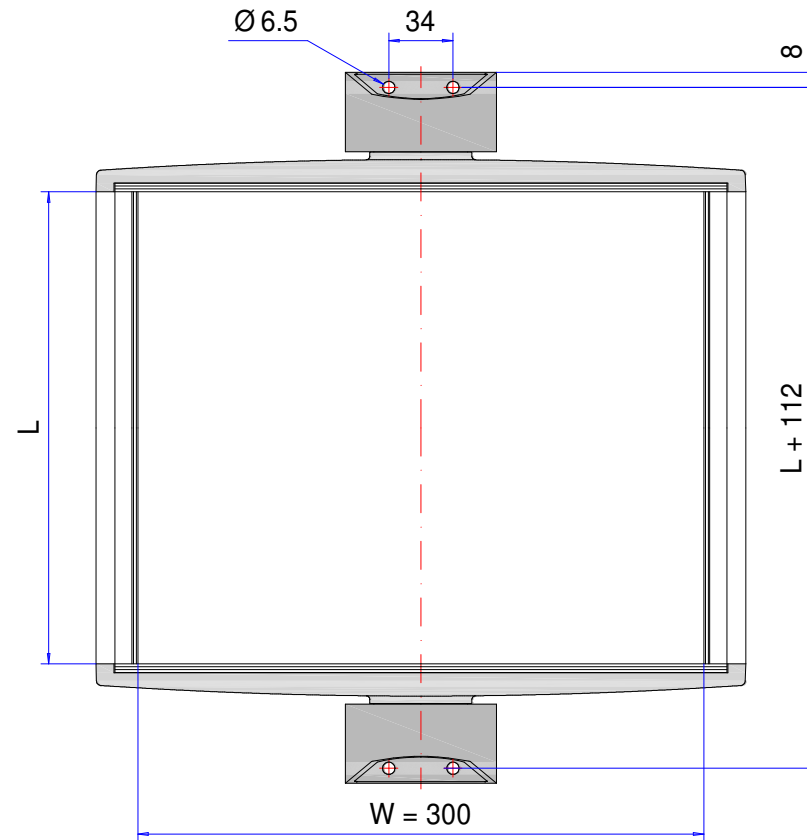
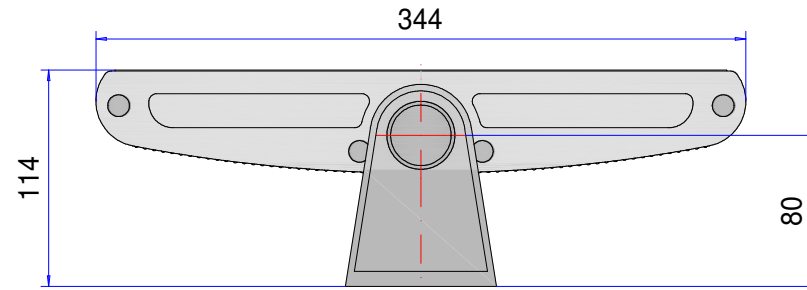
#### Customising

Learn more about our full customising service for installation-ready enclosures

# Enclosure series aluDISPLAY

Type: ADI 300-W

Material-No.: 260.300.\*\*\*, length (L) of profile variable



Enclosure material	Al Mg Si 12 (DIN 17615)		Ingress protection	IP54 EN 60529
Lid material	GD-Al Si 12 (DIN 1725)		Weight	Profile 6,859 kg/m + 0,814 kg
Lid screws	8x stainless steel 1.4567 (V2A), captive		Coating profile	Silver anodized
Gasket profile	1x Chloroprene (CR), light grey		Coating lid	Powder coating RAL 9005, black
Gasket lid	1x TPE moulded gasket, siliconefree, black		Tolerance	GTA 13/5 DIN 1688-4 (outside dimensions ±0,5mm)