

**184.162.000**  
**polyKOM-Ex PK-Exe 162**



**technical data**

Material	Polyester
Protection class	IP 65 EN 60529
Colour	Graphite Black RAL 9011
Certifications	ATEX Ex Empty Enclosures, ATEX Ex Enclosure, IECEX Ex Empty Enclosures, IECEX EX Enclosures
Length	260 mm
Width	160 mm
Height	90 mm
Weight (g)	1710 g
Country of manufacture	Germany
Customs tariff number	39269097

## **polyKOM-Ex**

EX ENCLOSURES MADE FROM GLASS-FIBRE REINFORCED POLYESTER

### **IP 65**

polyKOM-EX enclosures are made of glass-fibre reinforced polyester. The enclosures are tested to IP 65 protection class and can be supplied as empty enclosures or as Ex e and Ex i models. A range of accessories such as Ex cable glands and much more is available.

Enclosure sizes  
14 sizes

Dimensions L x W x H

80 x 75 x 55mm to 400 x 405 x 120mm

Further information  
Corrosion-resistant

Locking screws with plus/minus screw head or captive Allen screw

Application-specific accessories such as mounting plates made from galvanised sheet steel, series terminals etc.

Optional: Approved Ex e and Ex i cable glands from various manufacturers

Optional: Approved Ex e and Ex i series terminals from various manufacturers

Empty enclosure approvals  
II 2 GD Ex e II tD A21 IP65

KEMA 02ATEX2055 U

Operational temperature range  
-40°C to +100°C

Terminal enclosure approvals  
II 2 GD Ex e II T6 tD A21 T80°C IP65

II 2 GD Ex e ia IIC T6 tD A21 T80°C IP65

II 1 G Ex ia IIC T6 IP65

KEMA 02ATEX2055

Ambient temperature range  
-40°C to +40°C

Earth connection  
In the interior through earth bar or PE terminals

Enclosure  
Polyester glass fibre reinforced, halogen-free

similar to RAL 9005, deep black, surface resistance < 109 Ohm

1° mould slope for casting ejection > internal circumference dimensions decrease by 1° towards enclosure bottom.

Atmospheric temperature  
-40°C to + 40°C

Flammability  
UL 94 V-0

Fastening  
Through separate screw channels outside of the enclosure interior

Optional: External mounting brackets made from stainless steel

Internal mounting  
M4/M6 threaded bushing on the enclosure base

Ingress protection  
IP 65 / EN 60529

Gasket  
Tongue and groove system with silicone gasket, temperature range: -50°C to +140°C

Lid screws  
Stainless steel 1.4567, captive



<https://www.rolec-enclosures.co.uk>



Our *passion* is enclosures.

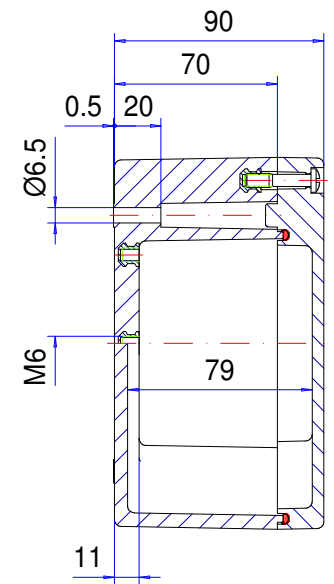
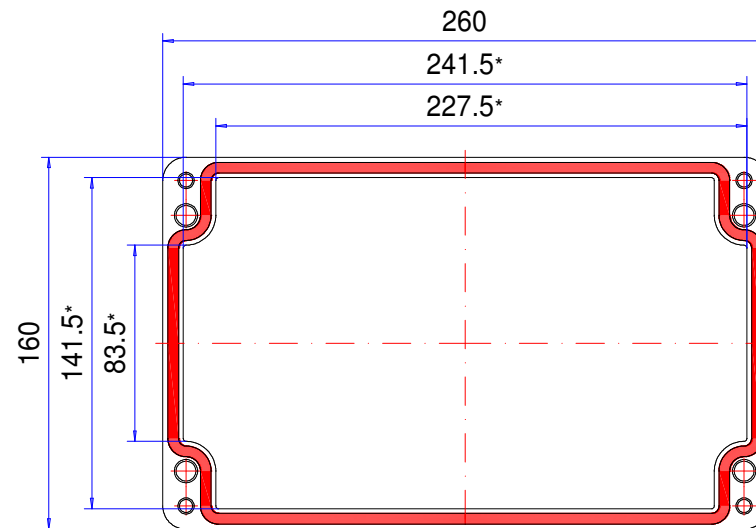
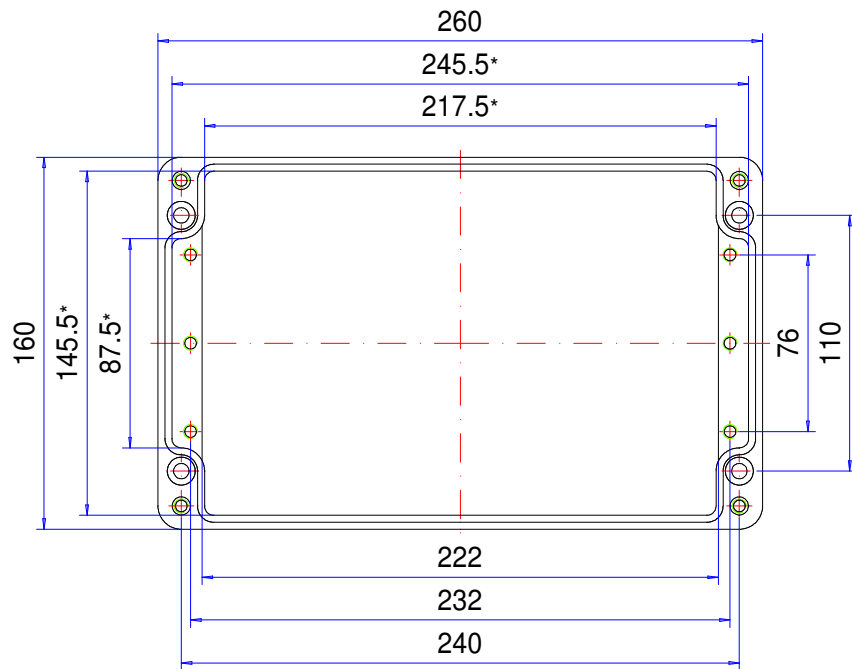
## Customising

Learn more about our full customising service for installation-ready enclosures

# Enclosure series polyKOM-EX

Type: PK-Exe 162

Material-No.: 184.162.000



\* Please note: Mould slope for casting ejection, dimensions in the amount of the bottom!

Enclosure material	Polyester GrP, UL 94 V-0, RAL 9011, black		Ingress protection	IP65 EN 60529
Lid screws	4x stainless steel 1.4567 (V2A), captive		Weight	1.710 g
Gasket	1x silicone, red		Tolerance	DIN ISO 16901 T-130 (outside dimensions ±0,5mm)