

108.162.000
aluKOM-Ex AK-Exe 162



technical data

Material	Aluminium
Protection class	IP 66/EN 60529
Colour	Pebble grey RAL 7032
Certifications	ATEX Ex Enclosure, IECEX Ex Empty Enclosures, IECEX EX Enclosures
Length	260 mm
Width	160 mm
Height	90 mm
Weight (g)	1950 g
Country of manufacture	Germany
Customs tariff number	76169910

aluKOM-Ex

THE EX VERSION OF OUR CLASSIC INDUSTRY STANDARD DIECAST ALUMINIUM ENCLOSURES

IP 66

aluKOM-EX is a highly versatile tried and trusted range of diecast aluminium enclosures. These Ex enclosures can be supplied as empty enclosures or as Ex e and Ex i models. The housings are rated to IP 66. Ex cable glands and other accessories are also available.

Enclosure sizes
23 sizes

Dimensions: L x W x H

58 x 64 x 36mm to 600 x 310 x 110mm

Additional info
Compatible with available standard products

Wide variety of accessories available

Optional: Approved Ex e and Ex i cable glands from various manufacturers

Optional: Approved Ex e and Ex i series terminals from various manufacturers

Empty enclosure approvals
II 2 GD Ex e II tD A21 IP66

KEMA 02ATEX2054 U

Operational temperature range
-20°C to +60°C

Terminal enclosure approvals
II 2 GD Ex e II T6 tD A21 T80°C IP66

II 2 GD Ex e ia IIC T6 tD A21 T80°C IP66

II 1 G Ex ia IIC T6 IP66

KEMA 02ATEX2054

Ambient temperature range
-20°C to +40°C

Earth connection
External earth connection made from stainless steel

Inside: Earth connection through earth bar or PE terminals

Enclosure
Diecast aluminium

EN AC 44300/EN AC-44200 (DIN EN 1706)

1° mould slope for casting ejection > internal circumference dimensions decrease by 1° towards enclosure bottom.

Fastening

Separate screw channels, fastening brackets made from stainless steel available as accessories

Internal mounting

M4/M6 fastening thread in lateral bars on the enclosure base

Ingress protection

IP 66 / EN 60529

Gasket

Tongue and groove system with silicone gasket, temperature resistance: -50°C to +140°C

Lid screws

Stainless steel 1.4567, captive

Surface

Powder coating RAL 7032, pebble grey

Optional: Special colours



<https://www.rolec-enclosures.co.uk>



Our *passion* is enclosures.

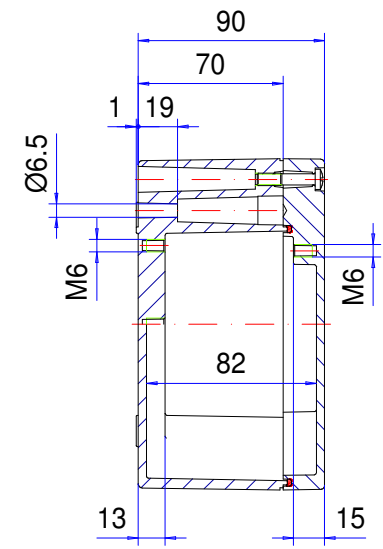
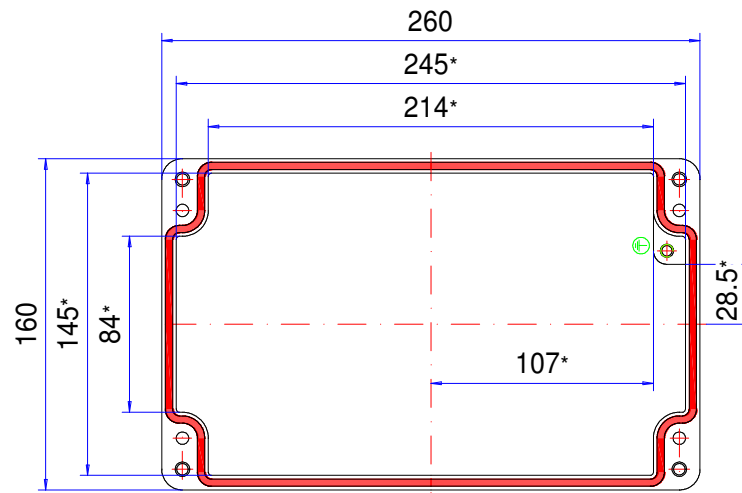
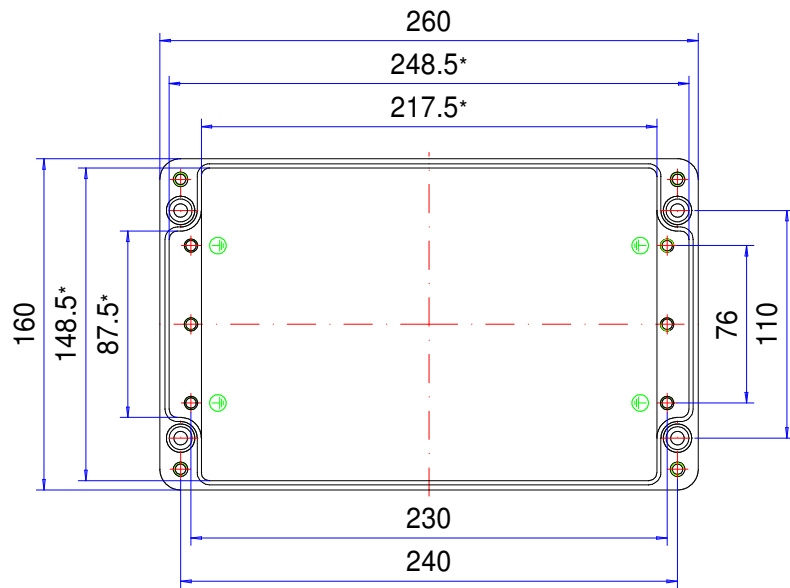
Customising

Learn more about our full customising service for installation-ready enclosures


Enclosure series aluKOM-Ex

Type: AK 162 Exe

Material-No.: 108.162.000



* Please note: Mould slope for casting ejection, dimensions in the amount of the bottom!

Enclosure material	GD-Al Si 12 (DIN 1725)		Earthing screws	4x M6x9, copper-plated
Lid screws	4x stainless steel 1.4567 (V2A), captive		Coating	Powder coating RAL 7032, pebble grey
Gasket	1x silicone, red		Tolerance	GTA 13/5 DIN 1688-4 (outside dimensions ±0,5mm)
Ingress protection	IP66 EN 60529		Grounding	Outside ground EN 60079-0
Weight	1.953 g			