

147.025.500 Coupling



technical data

| | |
|------------------------|-----------------------|
| Material | Aluminium |
| Protection class | IP 54/EN 60529 |
| Colour | Windows grey RAL 7040 |
| Certifications | GOST |
| Weight (g) | 1250 g |
| Country of manufacture | Germany |
| Customs tariff number | 73089098 |

QUADRO 50

STABLE SUSPENSION ARM SYSTEM FOR MEDIUM LOADS

QUADRO 50 gets its name from the 50 mm square steel profiles which form the basis of the system. Connection joints and couplings are made of high load spheroidal graphite which provides a higher than average bearing strength. The overall static equilibrium of the system is extremely high due to its use of steel profiles.

QUADRO can be assembled quickly and easily at the point of use, thanks to its sophisticated technology. The articulated parts are equipped with a swivel limiter. A control lamp adapter and a QUADRO 50/taraPLUS elbow for connection to the taraPLUS system complete the range. Compatible command enclosures include commandCASE, topVISION and multiVISION.

Load-bearing capacity

[embed_LBC_diagram_start_#etc/traglast/Belastungsdiagramm_Q50_EN.jpg#embed_LBC_diagram_end](#)

Principle

Closed system with easy access to system parts for medium and heavy loads

Additional info

Simple alignment of the system

Heavy-duty system parts made from spheroidal graphite

Signal light adapter available for the elbow

Transition from QUADRO 50 to taraPLUS around 48mm possible with special elbow

Compatible ROLEC control enclosures: commandCASE, topVISION, multiVISION

Material/coating

System elements: Aluminium and high-tensile spheroidal graphite

Powder coating RAL 7040, window grey

Optional: Special colours

Supportprofile: Steel, drawn

Powder coating RAL 7035, light grey

Optional: Special colours

Bellows: PVC, RAL 7035, light grey

Cable routing
Suitable for HDMI, patch cables, USB etc., not suitable for DVI plugs

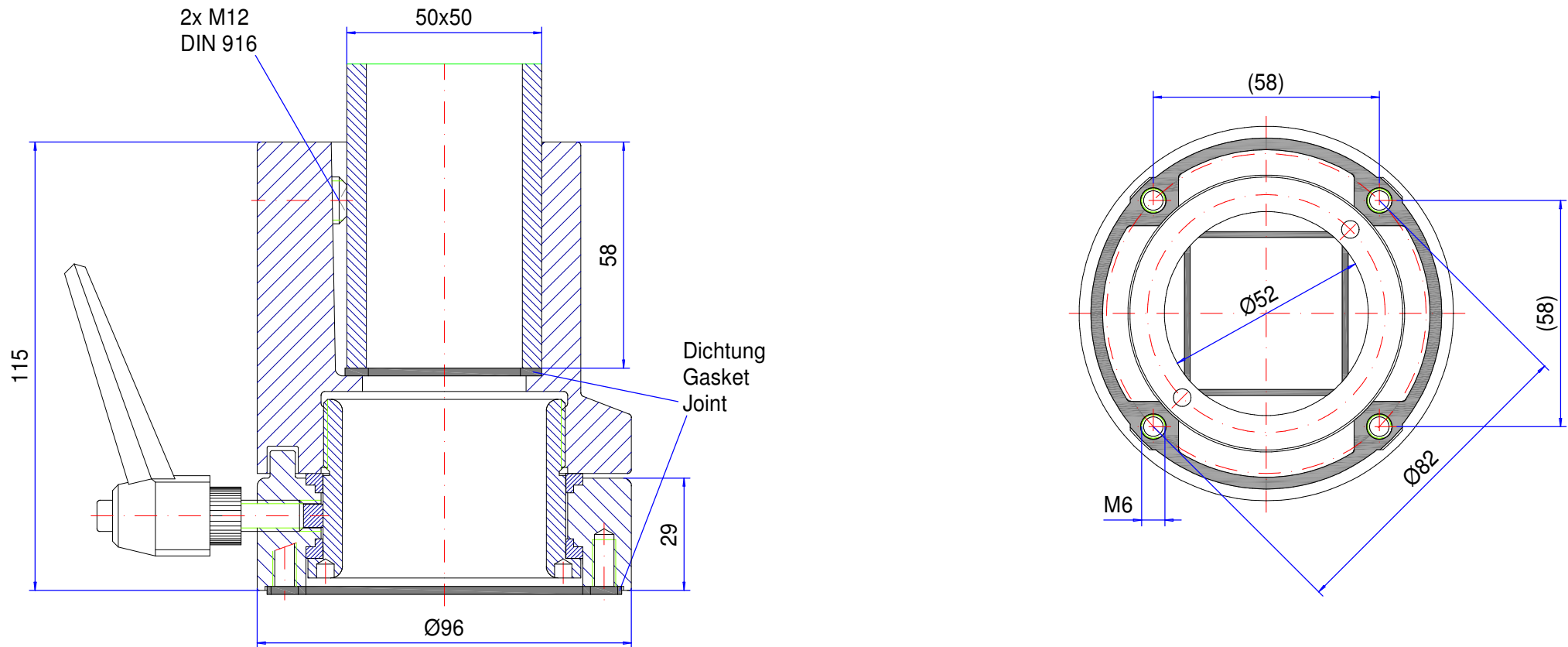
Ingress protection
IP 54 / EN 60529


Torque for cutting ring screws
30 Nm = 3 kg/m

Suspension-system Quadro 50

Type: Coupling

Material-No.: 147.025.500



| | | | | |
|--------------------------|--------------------------|---|----------------|---|
| Material system elements | GK-Al Si 12 (DIN1725) |  | Pivoting range | 300° |
| Gasket | Chloroprene (CR), black | | Weight | 1,250 kg |
| Assembly screws | 2x M12, galvanized steel | | Coating | Powder coating RAL 7040, window grey |
| Ingress protection | IP54 EN 60529 | | Tolerance | GTA 14/5 DIN 1688-3 (outside dimensions ±0,8mm) |
| | | | | |