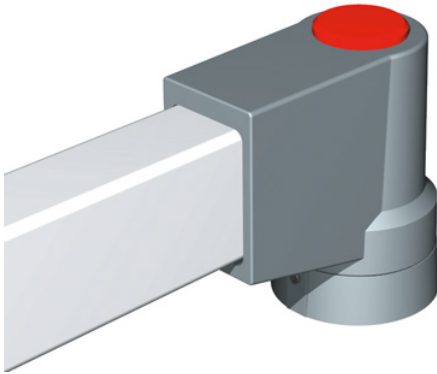


149.035.010
Elbow coupling



technical data

Protection class	IP 54/EN 60529
Colour	Blue grey RAL 7031
Weight (g)	1100 g
Country of manufacture	Germany
Customs tariff number	73089098

taraPLUS Beckhoff

MULTIVARIABLE SUSPENSION ARM SYSTEM FOR BECKHOFF DISPLAY PANELS

IP 54

taraPLUS Beckhoff was developed for light to medium loads and specifically for fitting Beckhoff display panels. It is quick and easy to assemble on site and the large openings in the system parts allow cables to be easily fed through. The special Beckhoff design combines round and square profiles, thereby achieving high static equilibrium. taraPLUS is a tried and trusted system with ingress protection of IP 54.

Load-bearing capacity

embed_LBC_diagram_start_#etc/traglast/Belastungsdiagramm_Tara_EN.jpg#embed_LBC_diagram_end

Principle

Many variants, closed system with easy access to system parts for light to medium loads

Additional info

Simple alignment of the system

Easy installation of the cables

Special design due to the combination of rectangular and round tubes

Material/coating

System elements: Die-cast aluminium

EN AN-44300 DIN EN 1706

(GD Al Si 12/DIN 1725)

Powder coating RAL 7031, blue grey

Optional: Special colours

Suspension pipes: Fe

Powder coating RAL 9006, white aluminium

Optional: Special colours

Bellows: PVC, RAL 7035, light grey

Cable routing
48 mm pipe = 42 mm Ø

70 mm pipe = 62 mm Ø

60/40 mm pipe = 54 x 34 mm

Ingress protection
IP 54 EN 60529

Torque for cutting ring screws
30 Nm = 3 kg/m



<https://www.rolec-enclosures.co.uk>

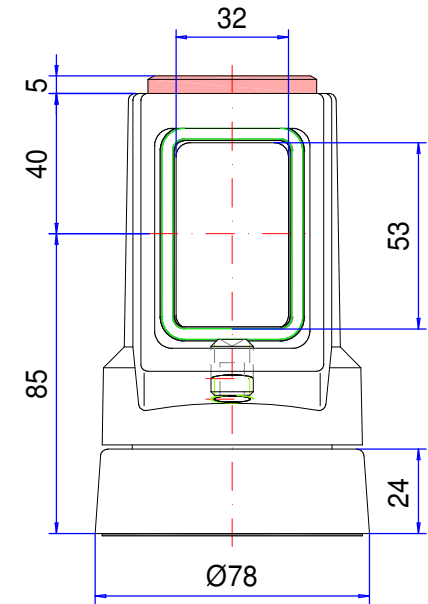
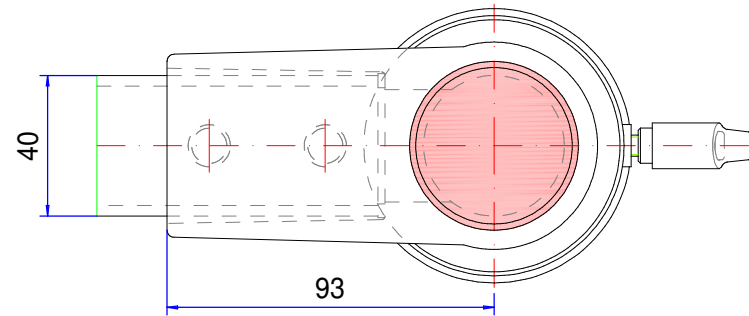
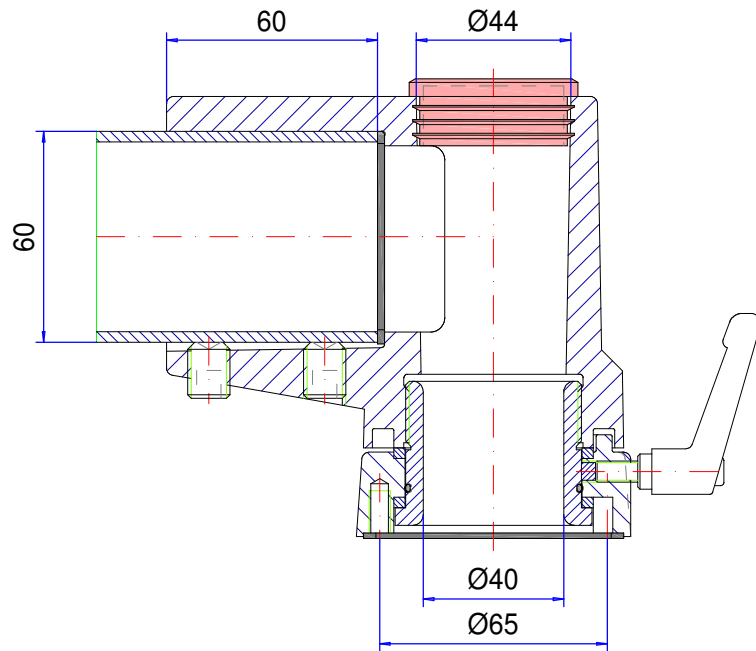


Our *passion* is enclosures.

Suspension-system taraPLUS

Type: Elbow rotary coupling

Material-No.: 149.035.010



Material system elements	GK-Al Si 12 (DIN 1725)		Pivoting range	300°
Gasket	Chloroprene (CR), black		Weight	1,100 kg
Assembly screws	2x M12, galvanized steel		Coating	Powder coating RAL 7031, blue grey
Ingress protection	IP54 EN 60529		Tolerance	GTA 14/5 DIN 1688-3 (outside dimensions ±0,8mm)