

143.020.501
Signal light adaptor, joint



technical data

Material	Plastic (POM)
Colour	Anthracite grey RAL 7016
Certifications	GOST
Weight (g)	180 g
Country of manufacture	Germany
Customs tariff number	73089098

profiPLUS 70

DESIGNER SUSPENSION ARM SYSTEM FOR MEDIUM TO HEAVY LOADS

IP 54

profiPLUS 70 is a modern suspension arm system which combines ergonomic design with advanced technology. The highly attractive appearance perfectly matches the design of modern machines. profiPLUS 70 offers more room for cables and connections than the smaller profiPLUS 50 system. At the same time, the system's bearing strength is significantly higher.

The profiPLUS 70 system is designed for time-saving assembly. For this, ROLEC engineers have developed the "one-screw adjustment" feature which means the system can be fully adjusted by just a single screw. All system couplings are pre-fitted with a support profile as standard, saving assembly time. The ducts in the interior of the system provide space for multiple cables such as HDMI, DVI and network cables. Cable protectors are integrated into all rotating system elements as standard. Fully integrated electrical bonding protects operators and the machinery. A set screw system in the joints allows adjustment of the pivoting range in 30° steps. The range includes reducing adapter for connecting to the profiPLUS 50, thus making it possible to mount display panels from leading manufacturers such as Siemens, B&R and Beckhoff.

Load-bearing capacity

[embed_LBC_diagram_start_#etc/traglast/Belastungsdiagramm_PP70_EN.jpg#embed_LBC_diagram_end](#)

Principle

Economic, compact and elegant designer suspension arm system for medium to heavy loads

Additional info

Possible to connect control enclosures from leading manufacturers such as Siemens, Beckhoff, B&R and ROLEC

The spacious cable routing offers an optimum connection with all interfaces, sufficient space is available for a range of cables and connectors

Patented ROLEC solution for alignment of the complete system in a horizontal direction through a single set screw!

Continuous equipotential bonding, DIN VDE 0113 / EN 60204-1 / IEC 204-1

All couplings are equipped with pre-fitted support profile as standard

Integrated cable protection in all system parts

Optional: Signal light adapters for joint and elbow

Material/coating

Diecast aluminium alloy, powder coated RAL 7035 light grey

Optional: Special colours

Support profiles: Extruded aluminium profile, anodised silver, preformed fastening thread

Optional: Anodised special colours or powder coated

Covers: Plastic (POM), RAL 7015 slate grey

Bellows: PVC-P, RAL 7016 anthracite grey, temperature resistance: -30°C to +70°C

Gasket

Chloroprene O-ring gasket (CR), temperature resistance: -30°C to +90°C

Cable routing

Suitable for HDMI, patch cables, DVI, USB, cold-device plugs etc.



<https://www.rolec-enclosures.co.uk>



Our *passion* is enclosures.

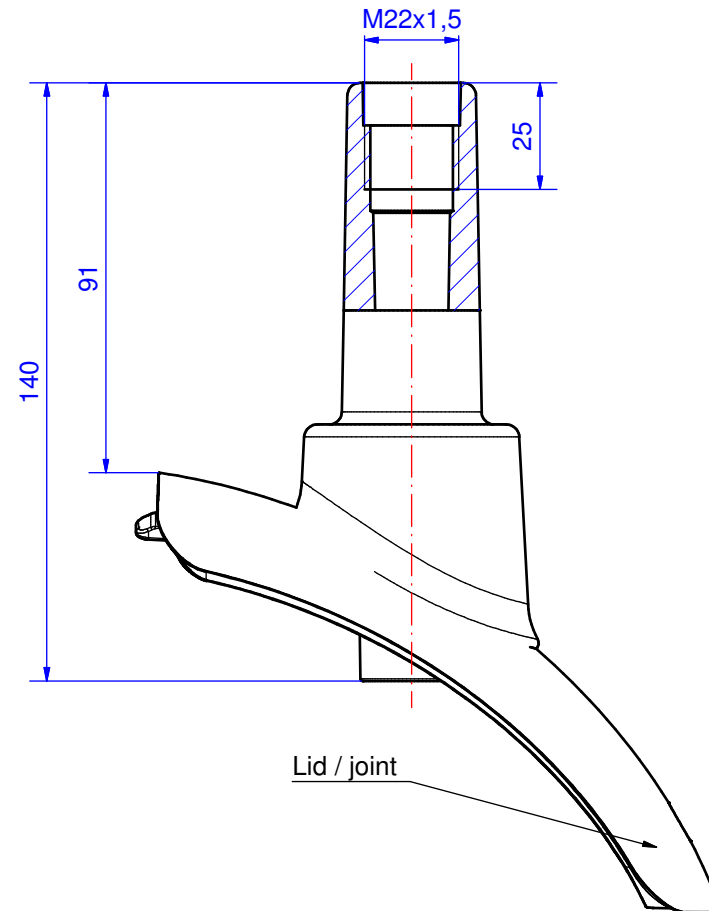
Ingress protection
IP 54 / EN 60529

Customising
Learn more about our full customising service for installation-ready enclosures

Suspension-System profiPLUS 70

Type: Control lamp adapter (joint)

Material-No.: 143.020.501



Suspension system material	Polyoxymethylene (POM)		Bending range	0°
Gasket	----		Weight	180 g
Mounting screws	----		Surface	RAL 7016, anthracite grey
Ingress protection	IP54 EN 60529		Tolerance	DIN 16901 T-140 (outside dimensions ±1 mm)