

147.025.700 Coupling



technical data

Material	Aluminium
Protection class	IP 54/EN 60529
Colour	Light grey RAL 7035
Certifications	GOST
Weight (g)	3100 g
Country of manufacture	Germany
Customs tariff number	73089098

QUADRO 80

STABLE SUSPENSION ARM SYSTEM FOR HEAVY LOADS

IP 54

QUADRO 80 gets its name from the 80 mm square steel profiles which form the basis of the system. Connection joints and couplings are made of high load spheroidal graphite which provides a higher than average bearing strength. The overall static equilibrium of the system is extremely high due to its use of steel profiles.

QUADRO can be assembled quickly and easily at the point of use, thanks to its sophisticated technology. The articulated parts are equipped with a swivel limiter. A control lamp adapter completes the extensive package. Compatible command enclosures include commandCASE, topVISION and multiVISION.

Load-bearing capacity

embed_LBC_diagram_start_#etc/traglast/Belastungsdiagramm_Q80_EN.jpg#embed_LBC_diagram_end

Principle

Closed system with easy access to system parts for heavy loads

Additional info

Simple alignment of the system

Heavy-duty system parts made from spheroidal graphite

Signal light adapter available for the elbow

Compatible ROLEC control enclosures: commandCASE, topVISION, multiVISION

Material/coating

System elements: Aluminium and high-tensile spheroidal graphite

Powder coating RAL 7040, window grey

Optional: Special colours

Supportprofile: Steel, drawn

Powder coating RAL 7035, light grey

Optional: Special colours

Bellows: PVC, RAL 7035, light grey

Cable routing
Suitable for HDMI, patch cables, USB etc., not suitable for DVI plugs

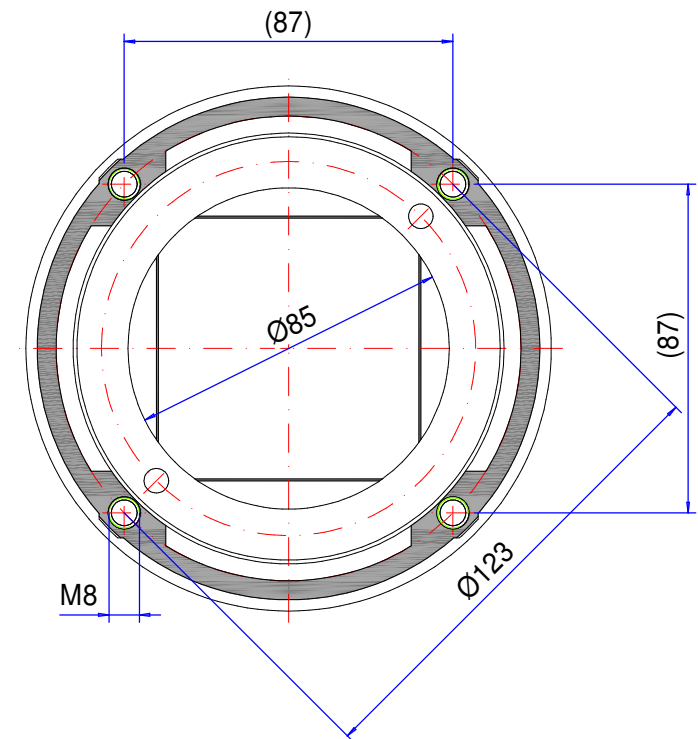
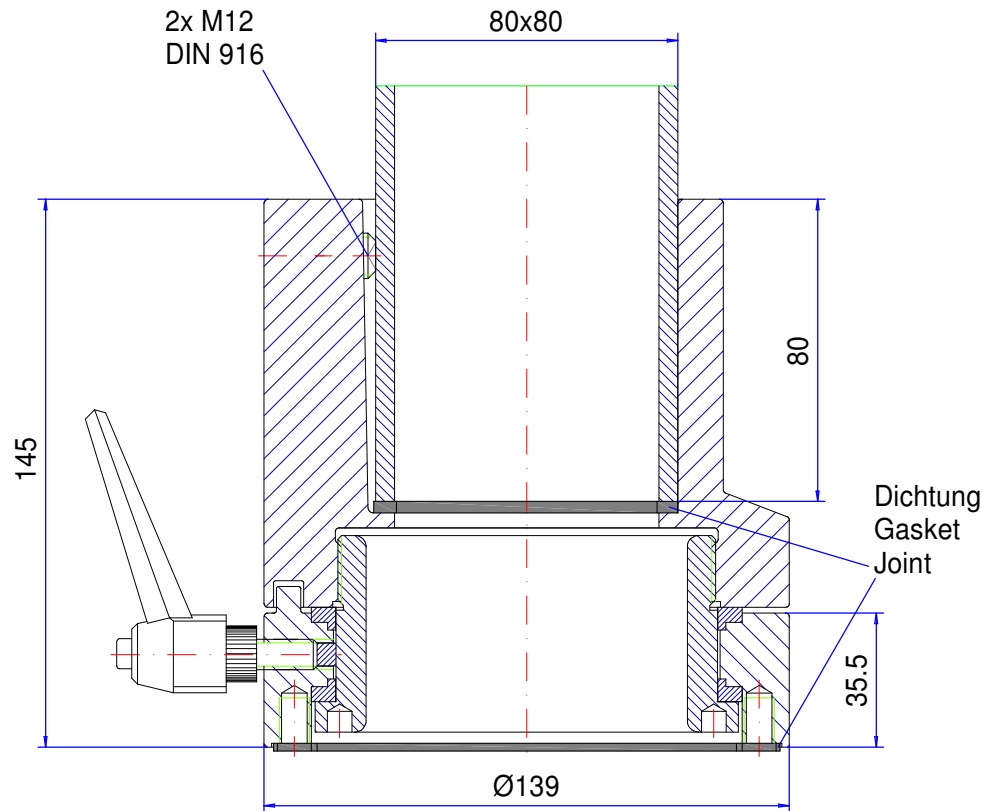
Ingress protection
IP 54 / EN 60529


Torque for cutting ring screws
30 Nm = 3 kg/m

Suspension-system Quadro 80

Type: Coupling

Material-No.: 147.025.700



Material system elements	GK-Al Si 12 (DIN1725)		Pivoting range	300°
Gasket	Chloroprene (CR), black		Weight	3,100 kg
Assembly screws	2x M12, galvanized steel		Coating	Powder coating RAL 7040, window grey
Ingress protection	IP54 EN 60529		Tolerance	GTA 14/5 DIN 1688-3 (outside dimensions ±0,8mm)