

247.102.000
inoBOX IBB 102



technical data

| | |
|------------------------|---|
| Material | Stainless steel |
| Protection class | IP 66/EN 60529 |
| Colour | Stainless steel Stainless steel |
| Certifications | CSA (optional), GOST, UL (optional) |
| Length | 150 mm |
| Width | 100 mm |
| Height | 90 mm |
| Weight (g) | 1100 g |
| Country of manufacture | Germany |
| Customs tariff number | 73269098 |

inoBOX A4

INNOVATIVE A4 STAINLESS STEEL ENCLOSURES PROTECT VALUABLE ELECTRONICS EQUIPMENT

IP 66

inoBOX 1.4404/A4 stainless steel enclosures impress with the usual ROLEC benefits - for every type of industrial internal mounting. Spacers are fitted in the bottom for mounting circuit boards, supporting rails or mounting plates. There is also an earthing bolt attached to the lid. Cable glands, mounting plates and other accessories are also available. For smaller order volumes, processing is carried out in our in-house laser processing centre. This offers maximum flexibility in the processing of products required at short notice.

Enclosure sizes
14 versions

Dimensions L x W x H:

100 x 100 x 90 mm to 400 x 300 x 120 mm

Further information
1.4404/A4, international designation: AISI 316

Enclosure
Stainless sheet steel, edged and welded, alloy 1.4404 (AISI 316) V4A, sheet thickness 1.2 mm

Fastening
Optional external fastening available

Internal mountings
Fastening points for mounting cross rails and mounting plates in the bottom
Earthing bolt M5 in the lid

Ingress protection
IP 66 / EN 60529
NEMA 4X
IK08 EN 62262

Gasket
Polyurethane (PU), temperature resistance - 40°C to + 80°C



Lid screws
Stainless steel, captive, cross slot

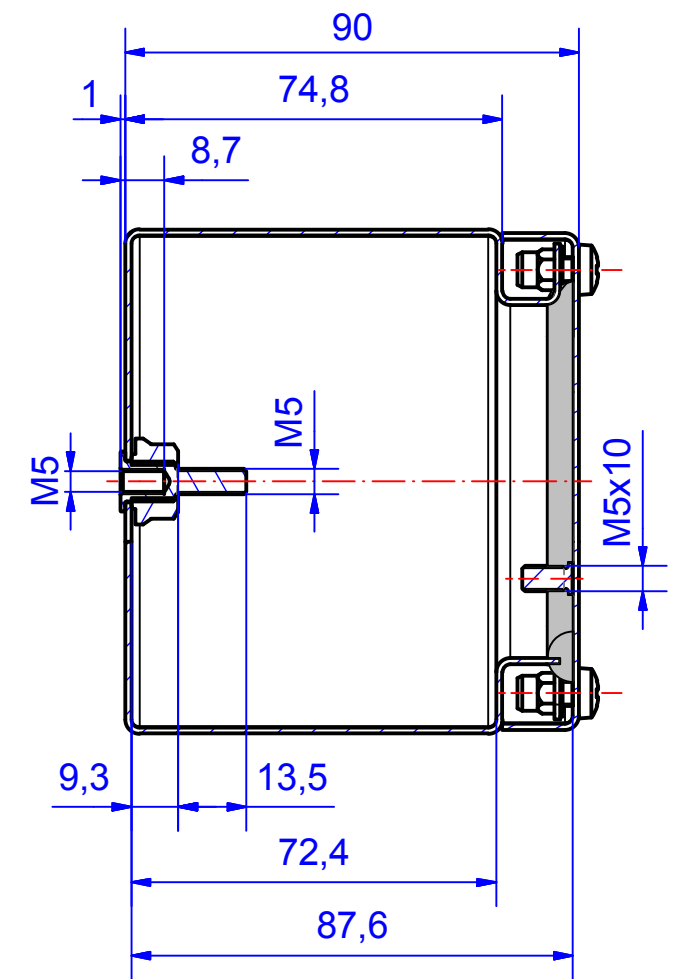
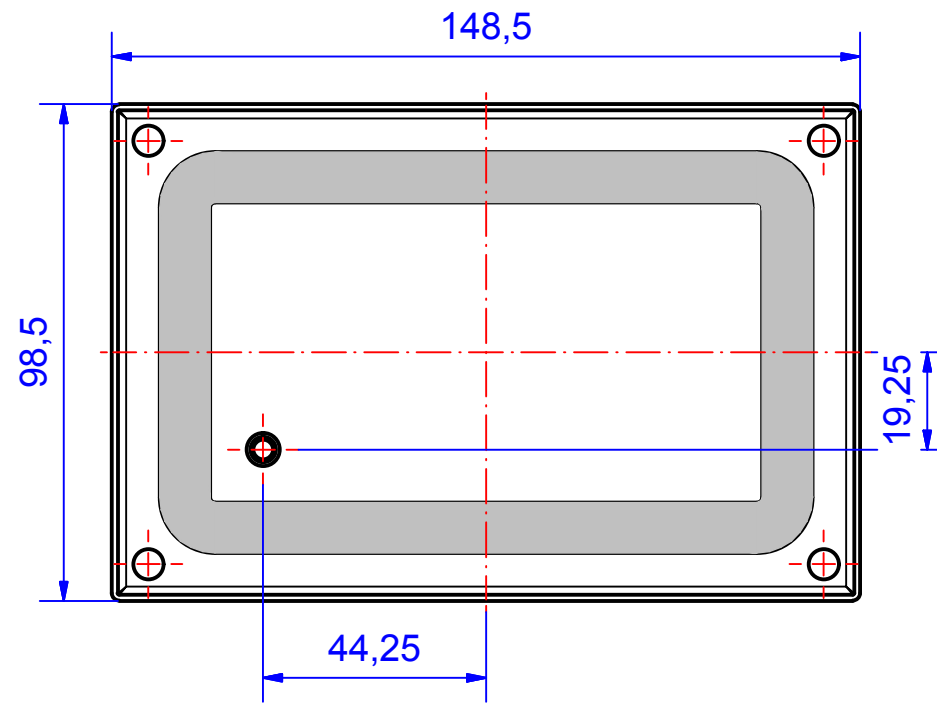
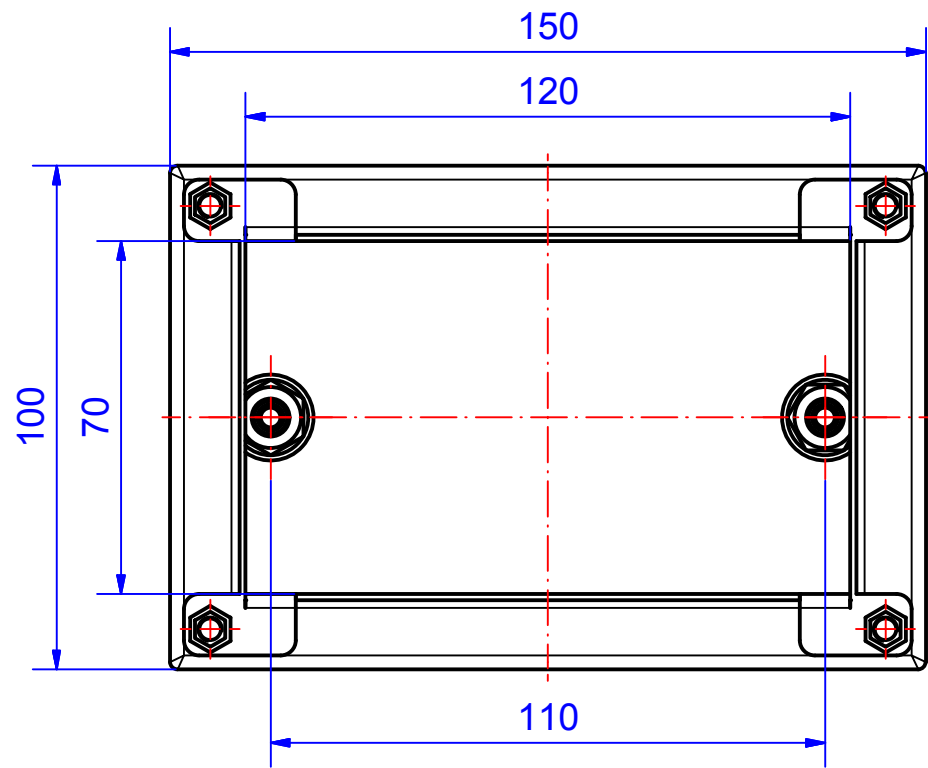
Surface
Polished

ROLEC Service
Utilise our full service offer for installation-ready enclosures

Enclosure series inoBOX

Type: IBB 102

Material-No.: 247.102.000



| | | | | |
|--------------------|----------------------------|--|-----------------|-------------------------|
| Enclosure material | V4A, 1.4404 (AISI 316) | | Weight | 1,1 kg |
| Lid screws | 4x V4A, captive | | Sheet thickness | 1,2 mm |
| Gasket | Polyurethane, dosed gasket | | Surface | Grinded, Scotch-Brite |
| Ingress protection | IP66 EN 60529 | | Tolerance | DIN ISO 2768-m DIN 6935 |