

## 142.020.002. Elbow coupling 50/48



### technical data

Material	Plastic (POM), Aluminium
Protection class	IP 54/EN 60529
Colour	Light grey RAL 7035, Anthracite grey RAL 7016
Certifications	GOST
Weight (g)	2150 g
Country of manufacture	Germany
Customs tariff number	73089098

## **profiPLUS 50**

### DESIGNER SUSPENSION ARM SYSTEM FOR LIGHT TO MEDIUM LOADS

#### **IP 54**

profiPLUS 50 is a modern suspension arm system which combines ergonomic design with advanced technology. The highly attractive appearance perfectly matches the design of modern machines. The range includes mounting adapters for connecting to display panels from leading manufacturers such as Siemens, B&R and Beckhoff.

The profiPLUS 50 system is designed for time-saving assembly. For this, ROLEC engineers have developed the "one-screw adjustment" feature which means the system can be fully adjusted by just a single screw. All system couplings are pre-fitted with a support profile as standard, saving assembly time. The ducts in the interior of the system provide space for multiple cables such as HDMI, DVI and network cables. Cable protectors are integrated into all rotating system elements as standard. Fully integrated electrical bonding protects operators and the machinery. A set screw system in the joints allows adjustment of the pivoting range in 30° steps. For higher loads, a reducer adapter also enables connection of profiPLUS 50 to the larger profiPLUS 70 system.

Load-bearing capacity

embed\_LBC\_diagram\_start\_#etc/traglast/Belastungsdiagramm\_PP50\_EN.jpg#embed\_LBC\_diagram\_end

#### Principle

Economic, compact and elegant designer suspension arm system for light to medium loads

#### Additional info

Possible to connect control enclosures from leading manufacturers such as Siemens, Beckhoff, B&R and ROLEC

The spacious cable routing offers an optimum connection with all interfaces, sufficient space is available for a range of cables and connectors

Patented ROLEC solution for alignment of the complete system in a horizontal direction through a single set screw!

Continuous equipotential bonding, DIN VDE 0113 / EN 60204-1 / IEC 204-1

All couplings are equipped with pre-fitted support profile as standard

Integrated cable protection in all system parts

Optional: Signal light adapters for joint and elbow

Material/coating

Diecast aluminium alloy, powder coated RAL 7035 light grey

Optional: Special colours

Support profiles: Extruded aluminium profile, anodised silver, preformed fastening thread

Optional: Anodised special colours or powder coated

Covers: Plastic (POM), RAL 7015 slate grey

Bellows: PVC-P, RAL 7016 anthracite grey, temperature resistance: -30°C to +70°C

Gasket

Chloroprene O-ring gasket (CR), temperature resistance: -30°C to +90°C

Cable routing

Suitable for HDMI, patch cables, DVI, USB, cold-device plugs etc.

Ingress protection

IP 54 / EN 60529



<https://www.rolec-enclosures.co.uk>



Our *passion* is enclosures.

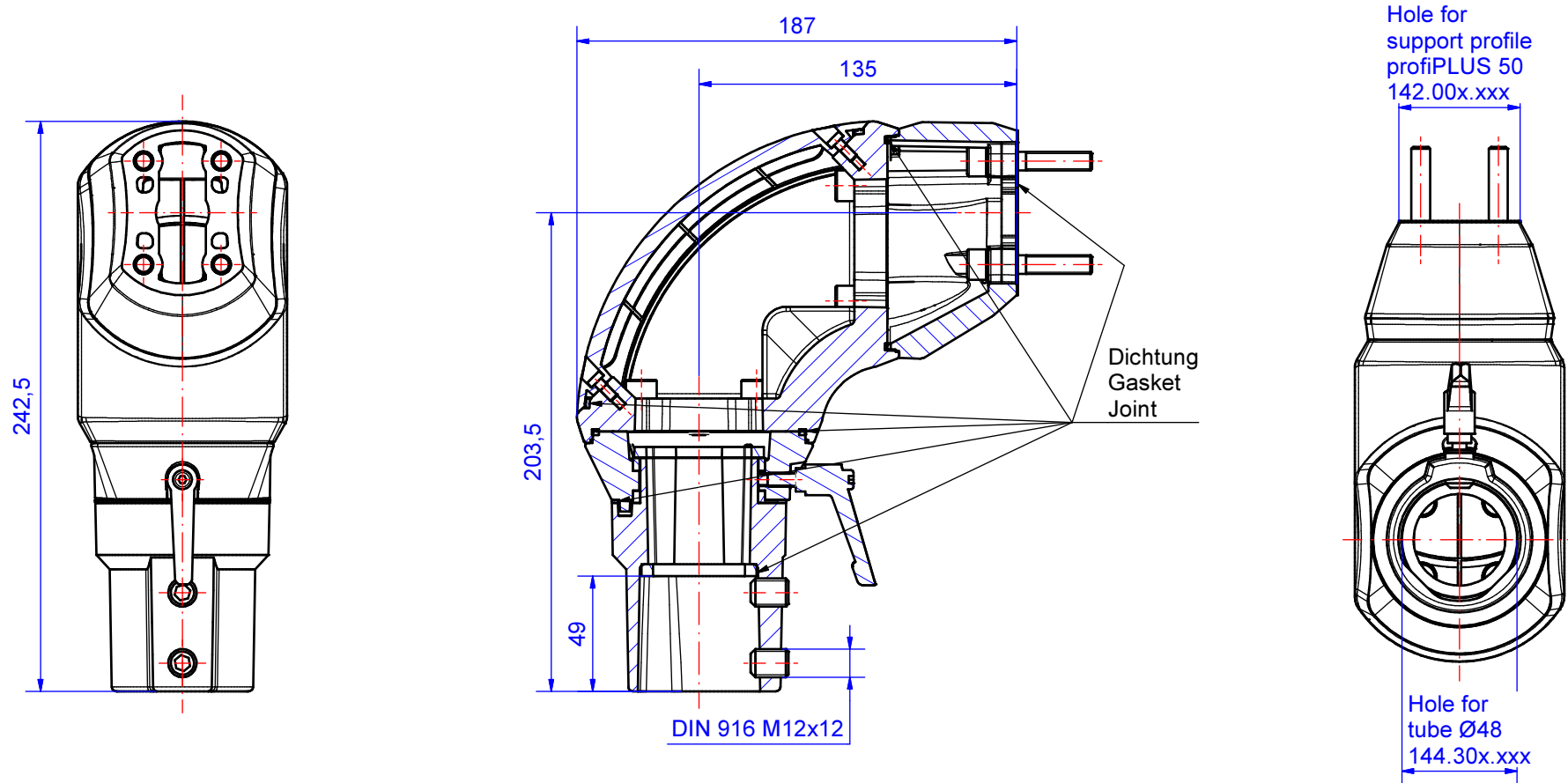
## Customising

Learn more about our full customising service for installation-ready enclosures

# Suspension-System profiPLUS 50

Type: Elbow swivel

Material-No.: 142.020.002



Material system components	GD-Al Si 12 (DIN 1706)		Pivoting range	300°
Gasket	6x Chloroprene (CR), black		Weight	2150 g
Assembly screws	4x M8, 2x M12, galvanized steel		Coating	Powder coating RAL 7035, light grey
Ingress protection	IP54 EN 60529		Tolerance	GTA 13/5 DIN 1688-4 (outside dimensions ±0,8mm)