

285.080.000
technoDISC TD 080



technical data

Material	ASA LURAN
Protection class	IP 66/EN 60529, IP 67/EN 60529
Colour	Light grey RAL 7035
Certifications	GOST
Length	110 mm
Width	97 mm
Height	55 mm
Weight (g)	216 g
Country of manufacture	Germany
Customs tariff number	39269097

technoDISC

AN ABSOLUTE ALL-ROUNDER IN EVERY RESPECT

IP 66 - Optional: IP 67 technoDISC is a unique range of high performance plastic enclosures for industrial electronics. It is especially ideal for Industry 4.0 and IIOT applications. The enclosures have a modern and highly attractive individual appearance with no visible fixing screws. Dark grey snap-on lid trims hide all of the assembly and mounting screws — providing tamper protection. The lid is recessed for locating a membrane keypad, front plate or product label. technoDISC is available in four standard sizes with plenty of space inside for PCBs and electronic components. The enclosure can be mounted without opening the lid using the separate mounting channels (protecting the electronics inside). Screw pillars are moulded in the lid and base sections for fitting PCBs, mounting plates and electronic assemblies. Accessory lid retaining straps, internal mounting plates and cable glands are available.

Enclosure sizes

4 Sizes

Dimensions L x W x H

110 x 97 x 55 mm to 190 x 179 x 90 mm

Further information

Integrated recesses for membrane keypads or front plates

Functional and extensive range of accessories

Enclosure

ASA+PC, similar to RAL 7035 light grey

Special material on request

2° mould slope for casting ejection, internal circumference dimensions decrease by 2° towards the enclosure base

Clip-on design covers, plastic polyoxymethylene (POM), RAL 7016 anthracite grey

Flammability

UL 94 V-0

Fastening

Separate screw channels outside of the enclosure interior, enclosure to be fastened while the lid is closed

Internal mountings

Fastening option for self-grooving screws on the base of the enclosure and in the lid

Ingress protection

IP 66 / EN 60529

Optional: IP 67 / EN 60529

Gasket

Silicone moulded gasket, temperature resistance: -50°C to +140°C

Optional: EMC gasket, temperature resistance: -55°C to +160°C

Lid screws

Stainless steel 1.4567, captive

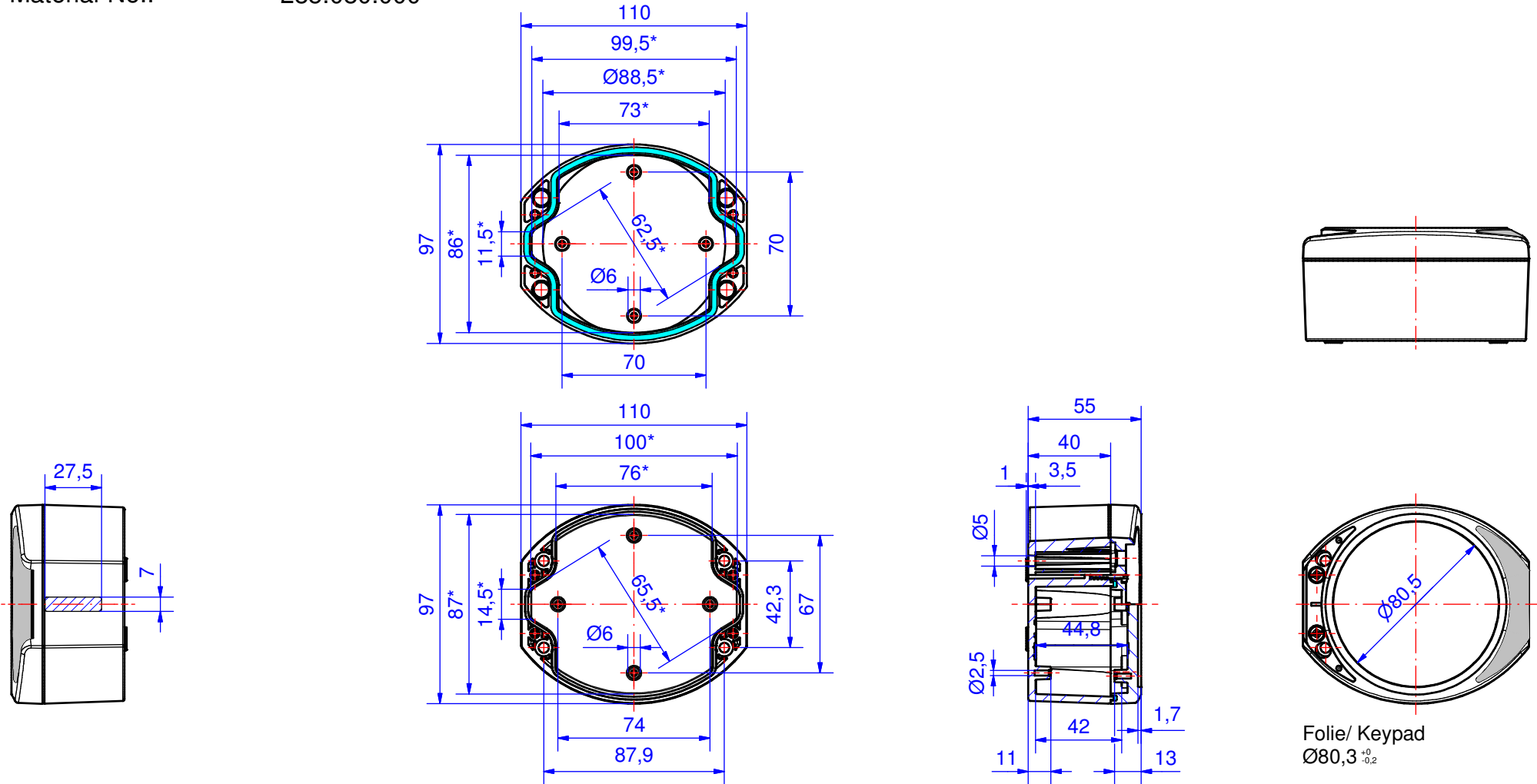
ROLEC Service

Utilise our full service offer for installation-ready enclosures

Enclosure series technoDISC

Type: TD 080

Material-No.: 285.080.000



Folie/ Keypad
 $\varnothing 80,3^{+0}_{-0,2}$

* Please note: Mould slope for casting ejection, dimensions in the amount of the bottom!

Enclosure material	ASA Luran S, RAL 7035, light grey		Gasket	1x moulded gasket, silicone, transparent
Lid screws	4x 1.4567 (V2A), captive		Ingress protection	IP66 EN 60529
Assembly screws	4x KBL $\varnothing 3 \times 8,5$, galvanized steel		Weight	216 g
Design covers	2x Polyoxymethylene (POM), RAL 7016, anthracite grey		Tolerance	DIN ISO 16901-130 (outside dimensions $\pm 0,5\text{mm}$)