

246.150.000
inoBOX IBBF 150



technical data

Material	Stainless steel
Protection class	IP 66/EN 60529
Colour	Stainless steel edelstahl
Certifications	CSA (optional), GOST, UL (optional)
Length	150 mm
Width	150 mm
Height	90 mm
Weight (g)	1300 g
Country of manufacture	Germany
Customs tariff number	73269098

inoBOX A4

INNOVATIVE A4 STAINLESS STEEL ENCLOSURES PROTECT VALUABLE ELECTRONICS EQUIPMENT

IP 66

inoBOX 1.4404/A4 stainless steel enclosures impress with the usual ROLEC benefits - for every type of industrial internal mounting. Spacers are fitted in the bottom for mounting circuit boards, supporting rails or mounting plates. There is also an earthing bolt attached to the lid. Cable glands, mounting plates and other accessories are also available. For smaller order volumes, processing is carried out in our in-house laser processing centre. This offers maximum flexibility in the processing of products required at short notice.

Enclosure sizes

14 versions

Dimensions L x W x H:

100 x 100 x 90 mm to 400 x 300 x 120 mm

Further information

1.4404/A4, international designation: AISI 316

Enclosure

Stainless sheet steel, edged and welded, alloy 1.4404 (AISI 316) V4A, sheet thickness 1.2 mm

Fastening

Optional external fastening available

Internal mountings

Fastening points for mounting cross rails and mounting plates in the bottom

Earthing bolt M5 in the lid

Ingress protection

IP 66 / EN 60529

NEMA 4X

IK08 EN 62262

Gasket

Polyurethane (PU), temperature resistance - 40°C to + 80°C



Lid screws
Stainless steel, captive, cross slot

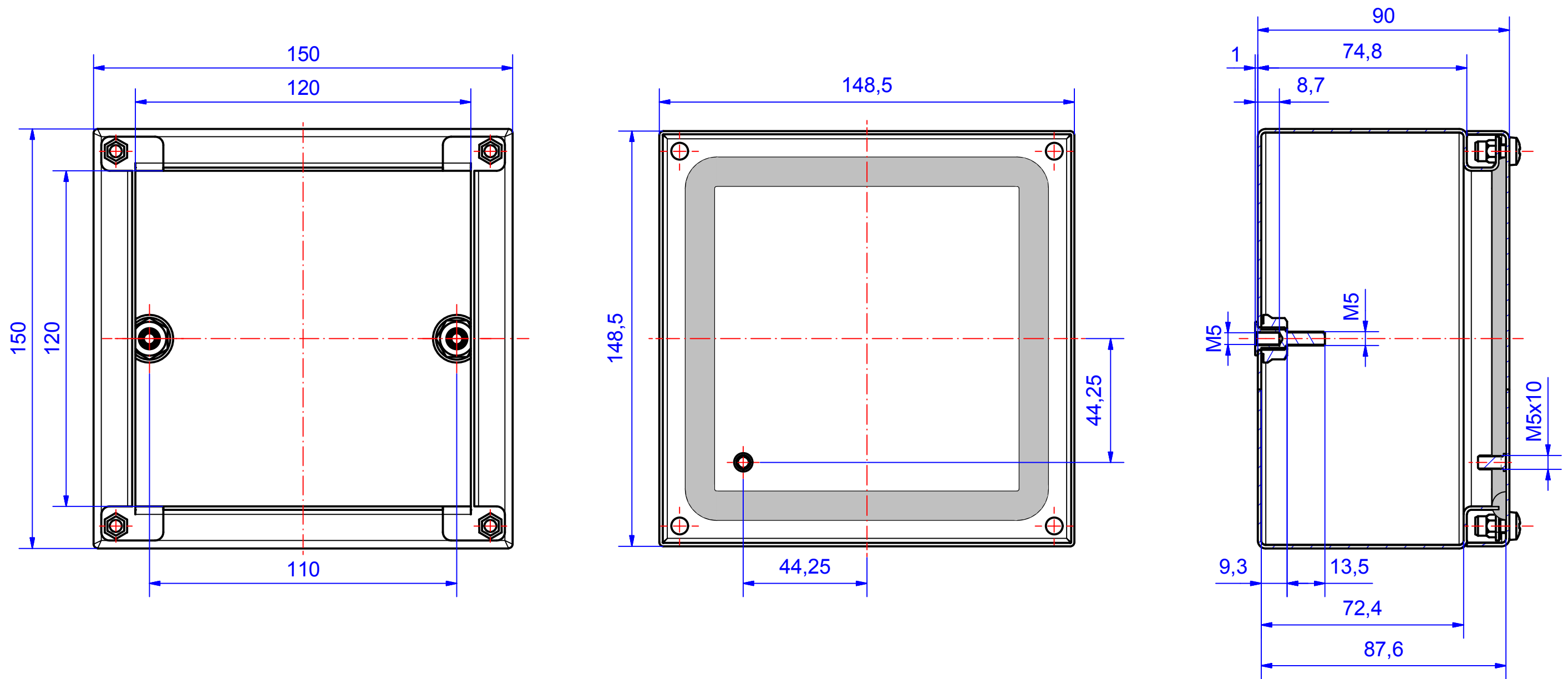
Surface
Polished

ROLEC Service
Utilise our full service offer for installation-ready enclosures

Enclosure series inoBOX

Type: IBBF 150

Material-No.: 246.150.000



Enclosure material	V4A, 1.4404 (AISI 316)		Weight	1,3 kg
Lid screws	4x V4A, captive		Sheet thickness	1,2 mm
Gasket	Polyurethane, dosed gasket		Surface	Grinded, Scotch-Brite
Ingress protection	IP66 EN 60529		Tolerance	DIN ISO 2768-m DIN 6935