

331.090.DDD profipANEL Standard 17"-21"



technical data

Material	Extruded aluminium
Protection class	IP 65 EN 60529
Colour	Anodised silver silber eloxiert, Light grey RAL 7035
Certifications	GOST, UL (optional)
Length	600 mm
Width	520 mm
Height	90 mm
Country of manufacture	Germany
Customs tariff number	76169910

profiPANEL Standard

DESIGN COMMAND ENCLOSURES IN STANDARD SIZES

Up to IP 65

The economical version of the HMI/control enclosure range with a depth of 90 mm. For everyone in a rush, who requires only a small batch size or who does not need millimetre-precise dimensions: "We have developed the "profiPANEL Standard" for these customers. Four standard sizes from a 90 mm basic profile with individually configurable front plate into which every panel PC and additional buttons or switches can be incorporated. The rear wall (on the longer side of the enclosure) features locks and hinges. profiPANEL Standard is quickly available and inexpensive.

The benefits of "profiPANEL Standard" at a glance:

- Four economical standard sizes to fit panel PCs up to 21"
- Inexpensive alternative due to standardisation
- Shorter delivery times as components are held in stock
- Customised machining of the front plate
- Also ideal for smaller order volumes
- Ingress protection IP 65

Just 4 simple steps to a perfectly coordinated, economical control enclosure:- Select enclosure dimensions based on the planned internal mounting.
- Define the machining of the front plate required.
- Define the position of the suspension arm fixing.
- Select optional handle(s). Side or bottom only available.

Enclosure sizes

Four standard sizes

L x W x H 400 x 400 x 90 mm for internal mountings from 10" to 12"

L x W x H 400 x 520 x 90 mm for internal mountings from 12" to 15"

L x W x H 520 x 520 x 90 mm for internal mountings from 15" to 17"

L x W x H 520 x 600 x 90 mm for internal mountings from 17" to 21"

Further information

Minimalist, multi-variable design for modern machines

Front plate is permanently connected to the enclosure, mounted almost edgeless and flush

Enclosure

Extruded aluminium

PA corner covers, RAL 7035, 9005, 3020 or 5017

Standard front plates: Aluminium 3 mm, Al Mg 1, silver anodised

Finished front plates, lasered, engraved or printed

Optional: Profile handle, PA, RAL 7035 and extruded aluminium

Enclosure lock (standard): Locks and exterior hinges (on the longer side of the enclosure)

Fastening

With coupling on the ROLEC suspension arm system profiPLUS 50

Internal mountings

Slide-in contours for spring nuts M4/M5

Ingress protection
IP 65 / EN 60529

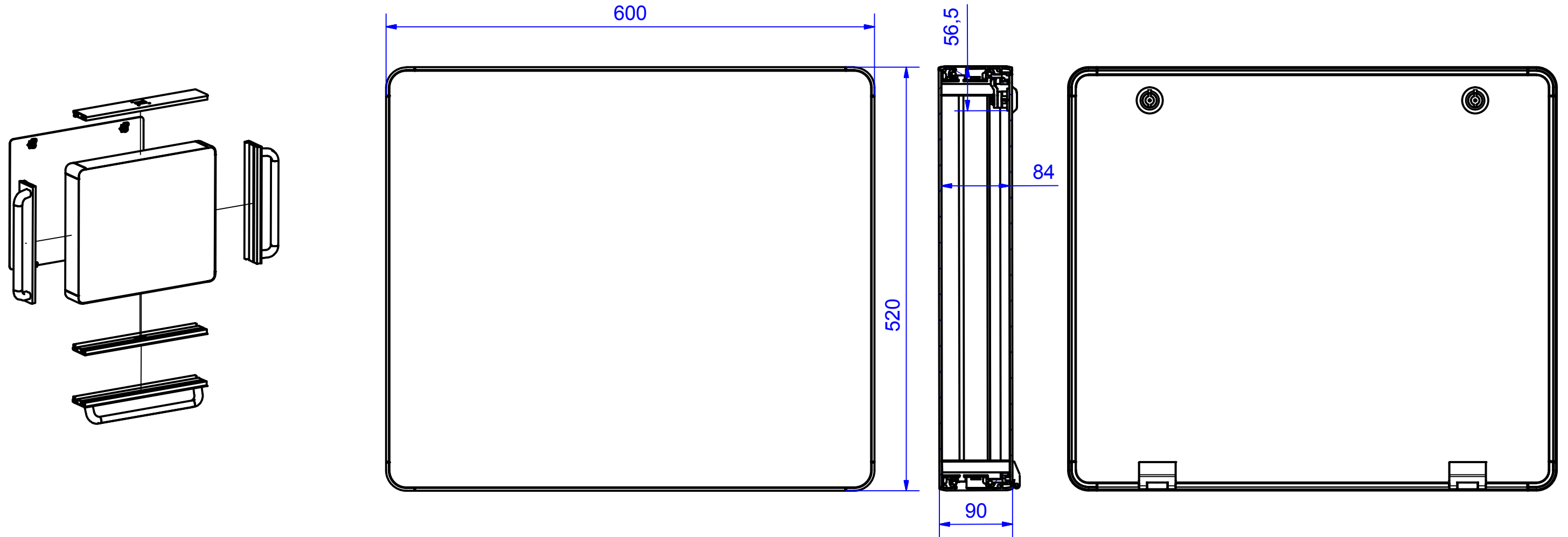
Surface
Anodised

ROLEC Service
Utilise our full service offer for installation-ready enclosures

Configuration
Use our handy enquiry form to configure your individual control enclosure

profiPANEL

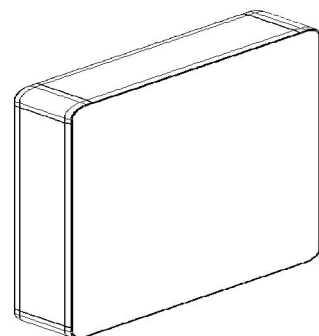
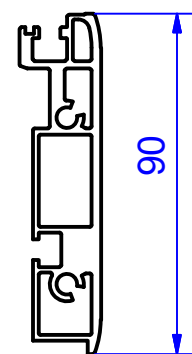
type PPD 90 standard 520x600



useable front-plate area= 470x550mm
 area reduction generated by lock and hinge combination

- optional
- unmachined
 - with coupling cutout on top or bottom
 - with profile side handles left and right or on the bottom

Profil 90



enclosure material	aluminium profile (AlMgSi0,5) anodized , corner (AlSi 12)		front panel	aluminium 3mm, anodized
rear panel	hinges and lock		corner covers	PA RAL 7035
protection class	IP65 EN 60529		tolerances	outside dimension+/-1mm; others DIN 2768-m