

100.166.035
aluNORM AS 166



technical data

Material	Aluminium
Protection class	IP 66/EN 60529, IP 67/EN 60529
Colour	Light grey RAL 7035
Certifications	CSA (optional), GOST, UL (optional)
Length	480 mm
Width	160 mm
Height	100 mm
Weight (g)	3900 g
Country of manufacture	Germany
Customs tariff number	76169910

aluNORM

MULTIVARIABLE DIECAST ALUMINIUM ENCLOSURES FOR INDUSTRIAL EQUIPMENT

IP 66, Optional: IP 67

aluNORM IP 66 diecast aluminium enclosures are designed to protect electrical and electronic components. The enclosures are available in four different versions with different lid and base combinations. This gives a huge variety of sizes and design options to choose from.

Uniquely, aluNORM enclosures are mounted to a wall or machine using the same screw channels as the lid fixings. This means there is more space inside for your assemblies and components. EMC shielded versions are available for the AS and AD variants, and some AF and AH variants - see ordering details. Threaded screw bosses in the lid and base enable fast installation of terminal rails, mounting plates etc. Matching cable glands and accessories are also available.

We can supply aluNORM enclosures fully customised to your requirements.

Enclosure sizes
86 sizes

Dimensions from: L x W x H

50 x 65 x 40 mm to 640 x 320 x 120 mm

Additional info
4 different variants

AS (deep bottom, flat lid)
AD (flat bottom, deep lid)
AF (flat bottom, flat lid)
AH (deep bottom, deep lid)

Compatible assembly dimensions with the polyTOP range (polyester enclosure)

Optional: Specially developed external mounting brackets made from die-cast aluminium, available from AS 080

Enclosure
Diecast aluminium

EN AC 44300/EN AC-44200 (DIN EN 1706)

1° mould slope for casting ejection > internal circumference dimensions decrease by 1° towards enclosure bottom.

Fastening
Space-saving single-channel technology for lid and fastening screws outside of the enclosure interior
Even square enclosures can be screwed into any position without problems, thanks to the symmetrical arrangement

Internal mounting
Fastening thread in lateral bars on the floor of the enclosure and a fastening option and/or thread in the lid (both depending on the variant)

Mounting plate made from galvanised sheet steel available as an accessory

Ingress protection
IP 66 / EN 60529

Optional: IP 67 / EN 60529

Gasket

Chloroprene O-ring gasket (CR), temperature resistance: -30°C to +90°C

or TPE moulded gasket, silicone-free, temperature resistance: -40°C to +120°C

Optional: Silicone gasket, temperature resistance: -50°C to +140°C

Lid screws

Stainless steel 1.4567, captive

Surface

Powder coating RAL 7035 light grey

Optional: Special colours

Optional: Corrosion protection

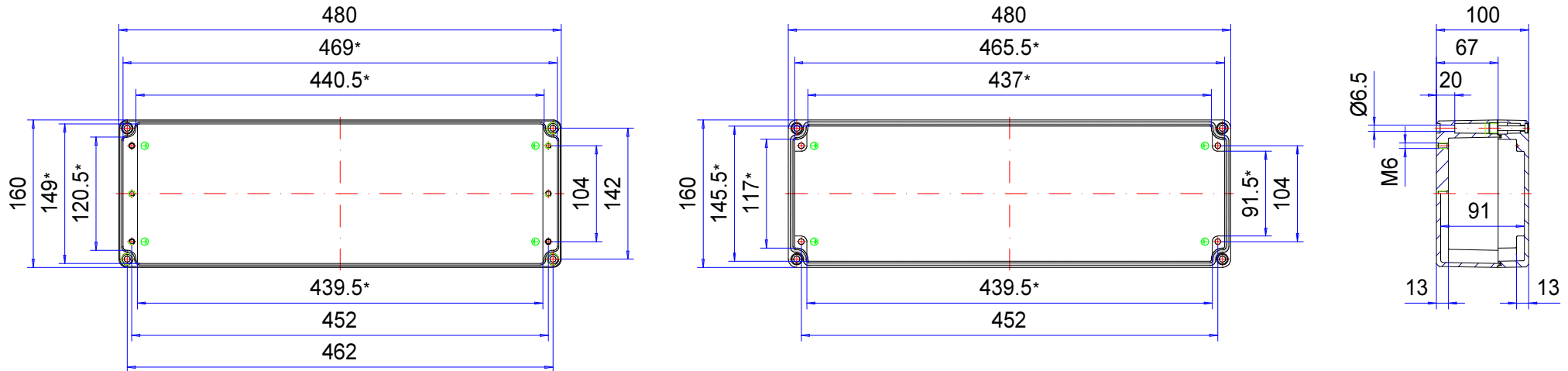
Customising

Learn more about our full customising service for installation-ready enclosures


Enclosure series aluNORM

Type: AS 166

Material-No.: 100.166.035



* Please note: Mould slope for casting ejection, dimensions in the amount of the bottom!

Enclosure material	GK-Al Si 12 (DIN 1725)		Weight	3.900 g
Lid screws	4x stainless steel 1.4567 (V2A), captive		Earthing screws	4x M6x9, copper-plated
Gasket	1x Chloroprene (CR), light grey		Coating	Powder coating RAL 7035, light grey
Ingress protection	IP66 EN 60529		Tolerance	DIN CEN ISO/TS 8062-2 (outside dimensions ± 0,8mm)