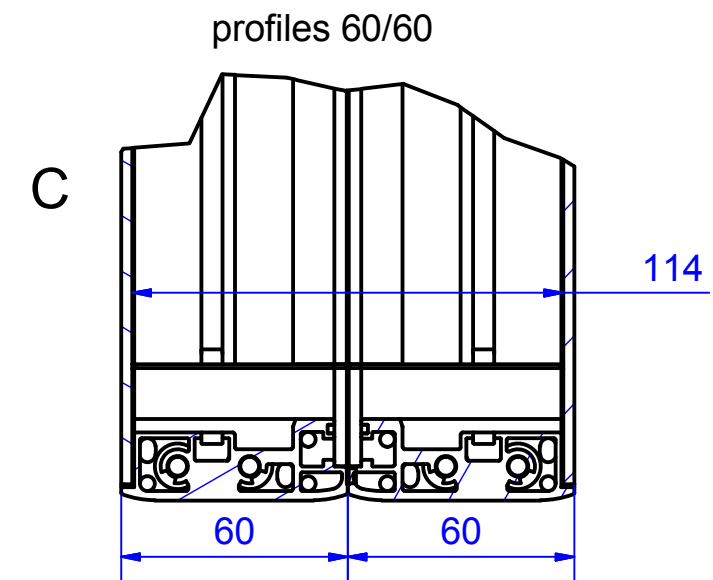
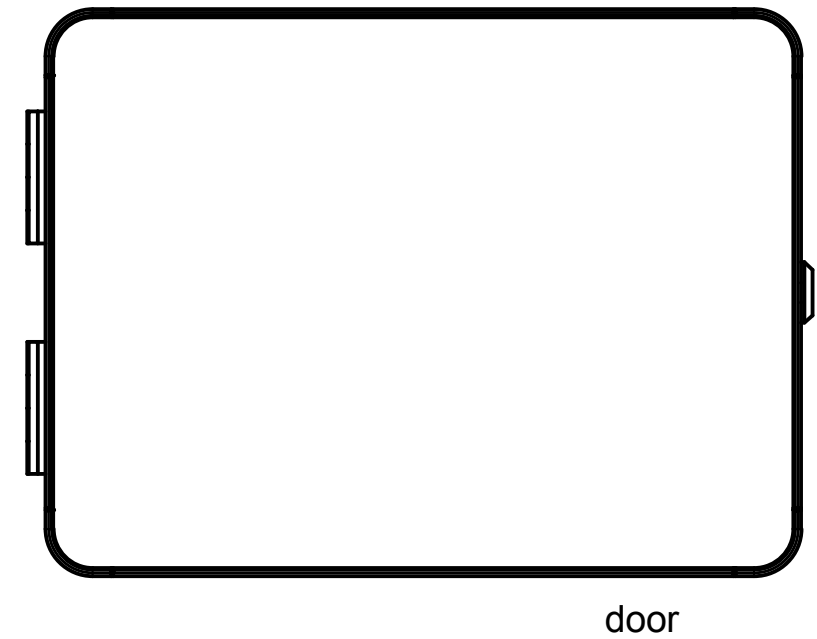
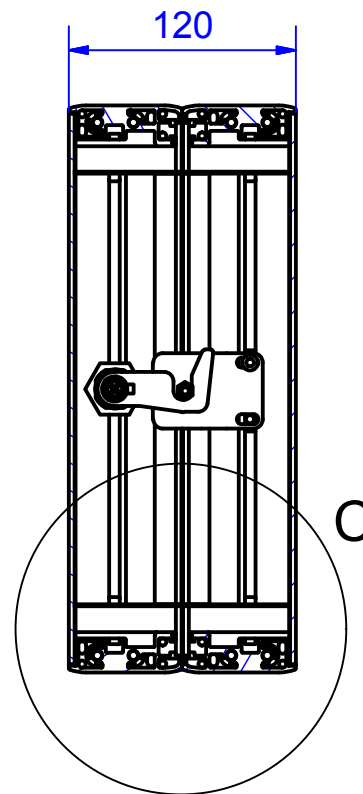
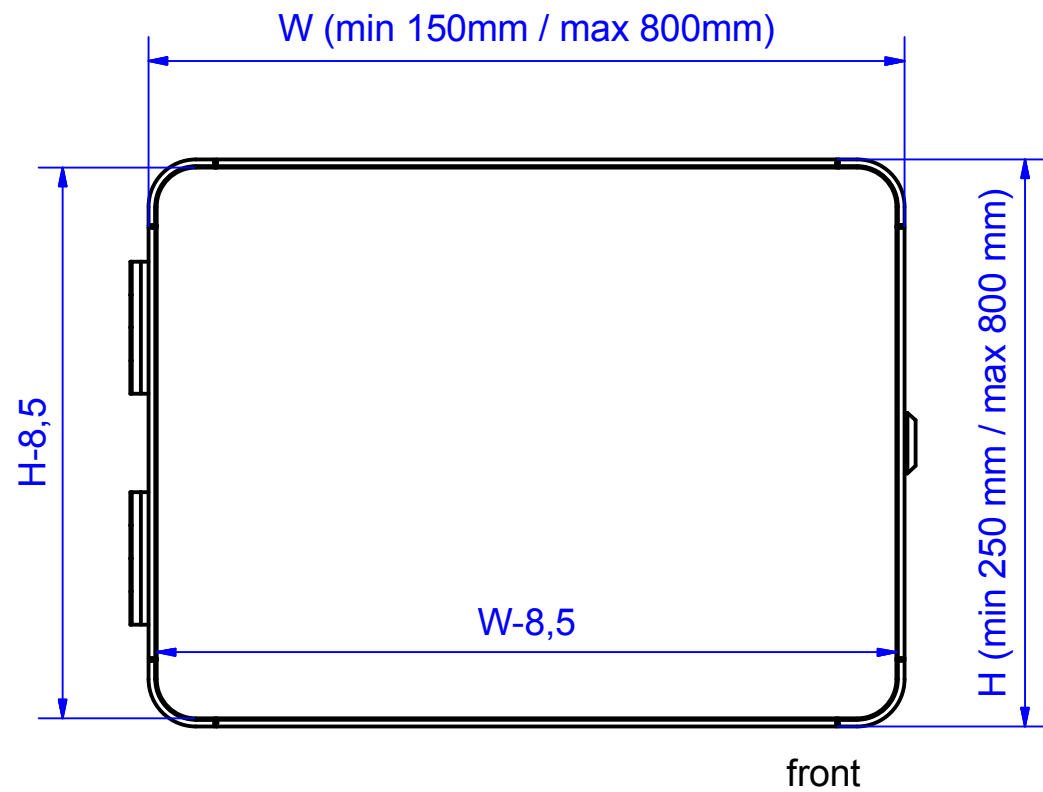


profiPANEL

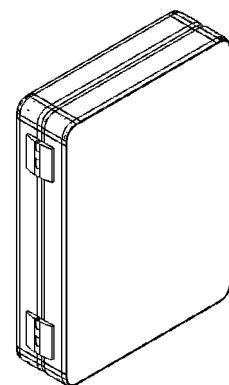
type PPD 120 (60/60)

article-no.: 332.120.AAA



useable front-plate area= nominal size -50 mm
area reduction generated by lock and hinge combination

*1 lock on side for dimension H < 600 mm
2 locks on side for dimension H ≥ 600mm
(distance between locks= H-300mm)



| | | | |
|--------------------|--|---------------|--|
| enclosure material | aluminium profile (AlMgSi0,5) anodized , corner (AlSi 12) | front panel | aluminium 3mm, anodized |
| door | hinges and locks | corner covers | PA RAL 7035 |
| protection class | IP65 EN 60529 | tolerances | outside dimension+/-1mm; others DIN 2768-m |
| weight | depends on configuration | | |