

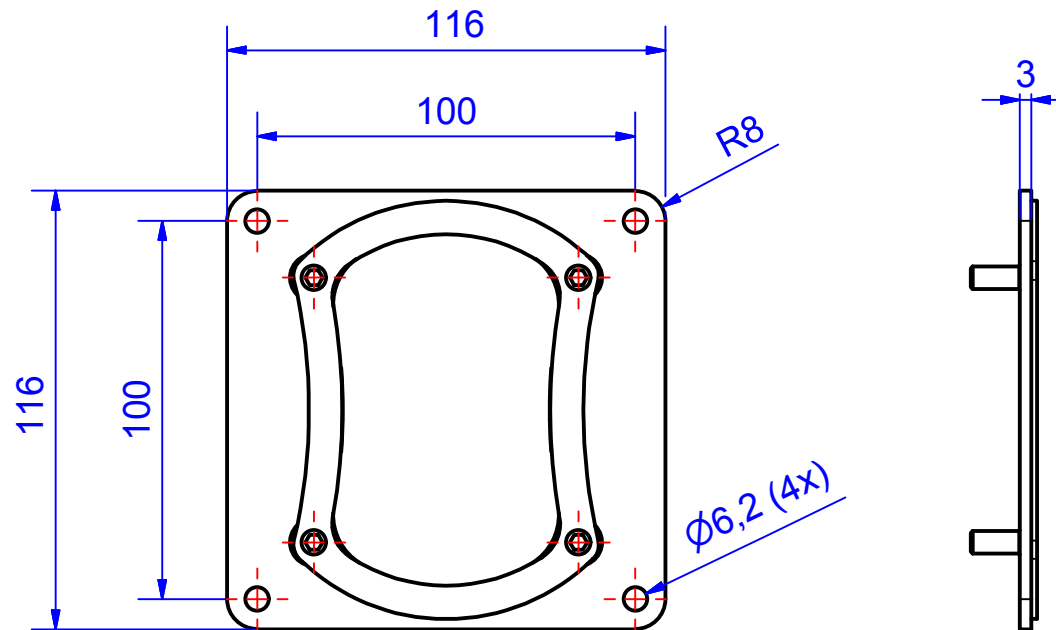
# Suspension-System profiPLUS 50

Type: Adaptor VESA console coupling

Material-No.: 142.000.024



[www.rolec.de](http://www.rolec.de)



Suspension system material	Steel		Bending range	---
Gasket	Zellkautschuk		Weight	211 g
Mounting screws	4x M6x16 DIN7991		Surface	Powder coating RAL 9005
Ingress protection	IP54 EN 60529		Tolerance	GTA 13/5 DIN 1688-4 (outside dimensions $\pm 0,8\text{mm}$ )