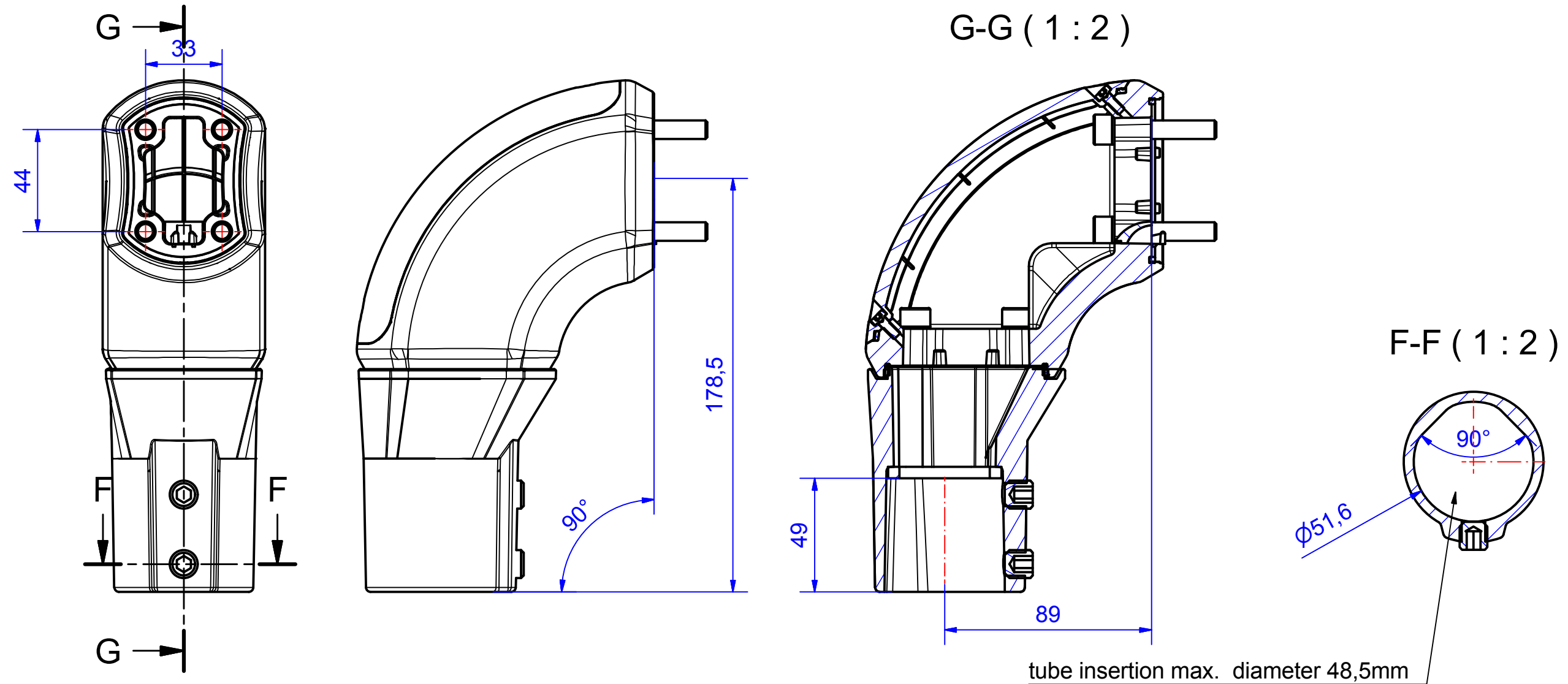



# Suspension-System profiPLUS50

Type: Elbow PP50 with adaptor elbow to diameter 48

Material-No.: 142.020.001



Suspension system material	Gd-Al-Si 12 (DIN 1706)		Bending range	-
Profile material	-		Weight	1250g
Gasket	Chloroprene (CR) black		Surface	Powder coating RAL 7035 light grey
mounting screws	4xM8 zinc plated, 2x M12x12 zinc plated		Surface profile	-
Ingress protection	IP 54 EN 60529		Tolerance	GTA 13/5 DIN 1688-4 (outside dimensions +/-0.8mm)