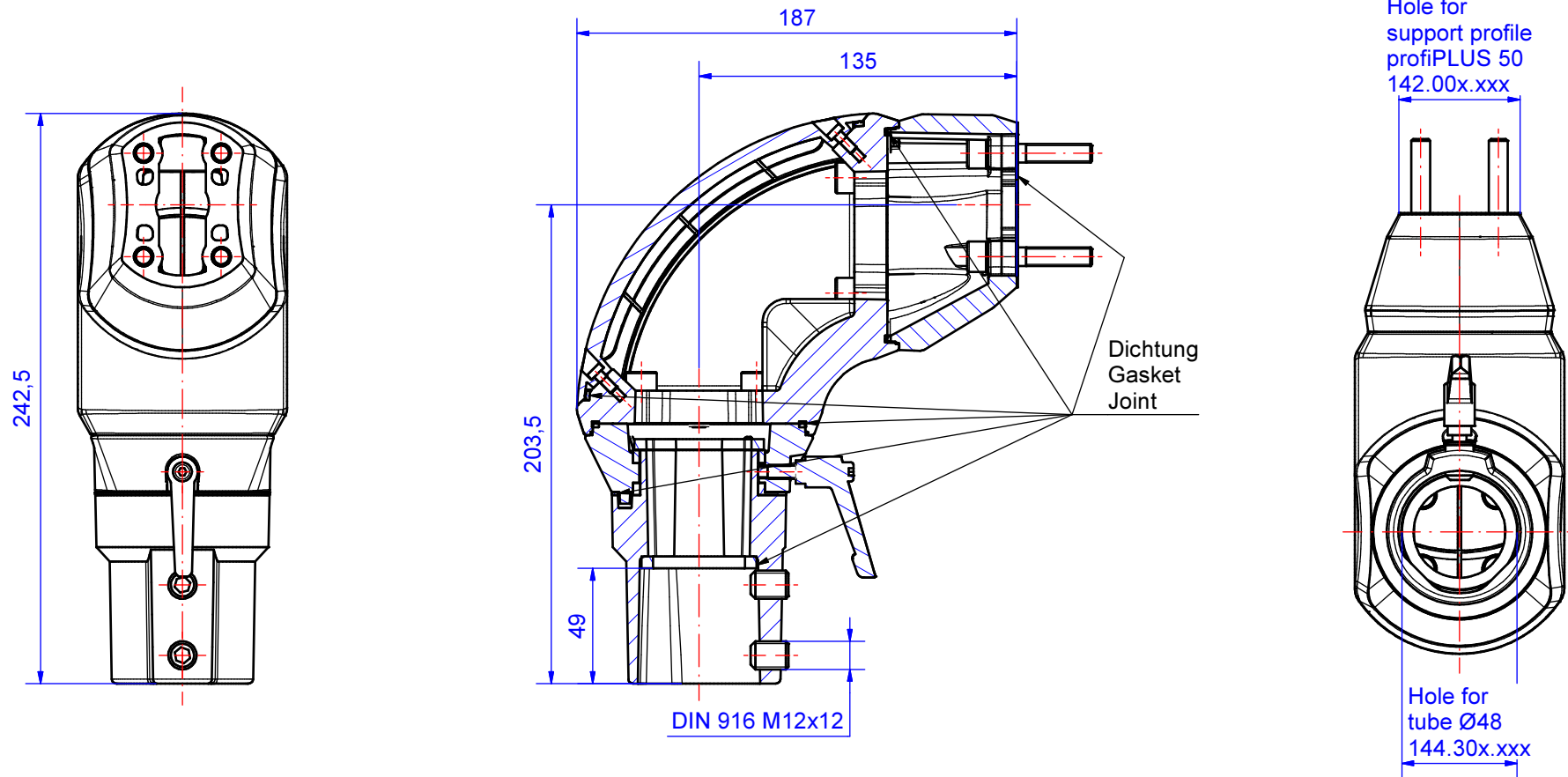


# Suspension-System profiPLUS 50

Type: Elbow swivel

Material-No.: 142.020.002



Material system components	GD-Al Si 12 (DIN 1706)		Pivoting range	300°
Gasket	6x Chloroprene (CR), black		Weight	2150 g
Assembly screws	4x M8, 2x M12, galvanized steel		Coating	Powder coating RAL 7035, light grey
Ingress protection	IP54 EN 60529		Tolerance	GTA 13/5 DIN 1688-4 (outside dimensions ±0,8mm)