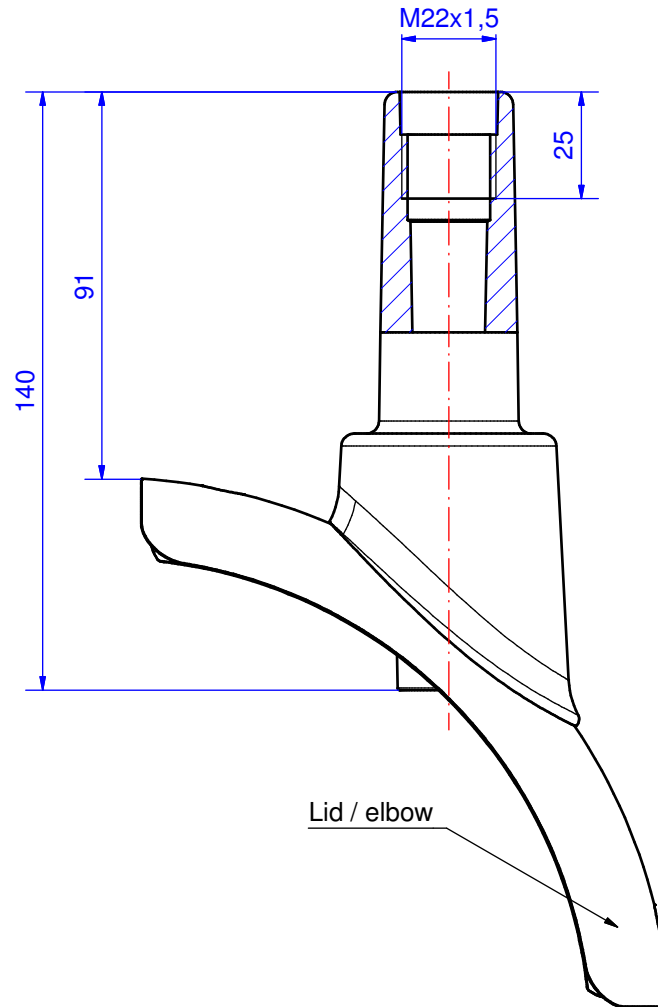


# Suspension-System profiPLUS 70

Type: Control lamp adapter (elbow)

Material-No.: 143.020.502



Suspension system material	Polyoxymethylene (POM)		Bending range	0°
Gasket	---		Weight	200 g
Mounting screws	---		Surface	RAL 7016, anthracite grey
Ingress protection	IP54 EN 60529		Tolerance	DIN 16901 T-140 (outside dimensions ±1 mm)