

Suspension-system taraPLUS

Type: Tubes round Ø70

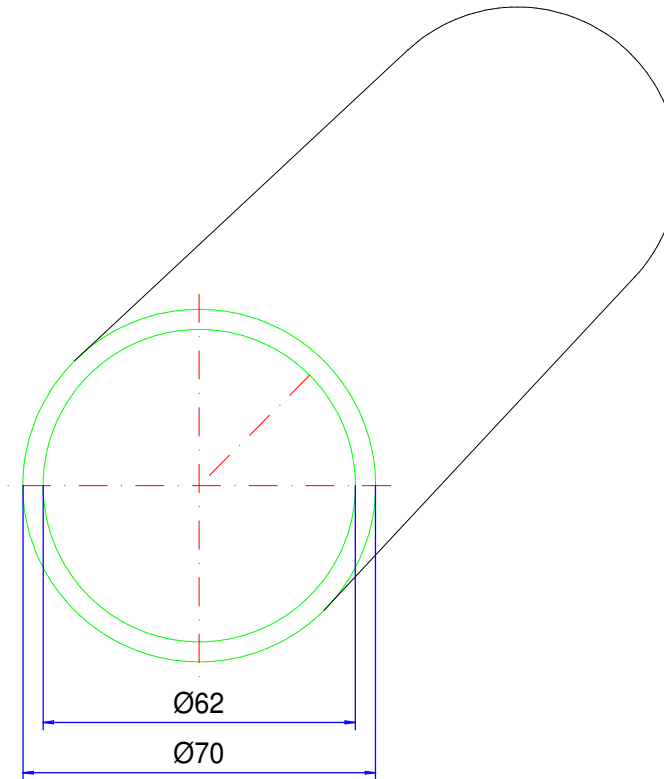
Material-No.: 144.32*.***

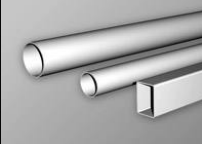
144.320.250 (L= 250 mm)

144.320.500 (L= 500 mm)

144.321.000 (L= 1000 mm)

144.322.000 (L= 2000 mm)



| | | | | |
|--------------------------|-----------------------------|--|----------------|-------------------------------------|
| Material system elements | Steel, seamless, cold-drawn |  | Pivoting range | --- |
| Gasket | --- | | Weight | 6,900 kg/ m |
| Assembly screws | --- | | Coating | Powder coating RAL 7035, light grey |
| Ingress protection | IP54 EN 60529 | | Tolerance | EN 10305-4 (DIN 2391) |
| | | | | |