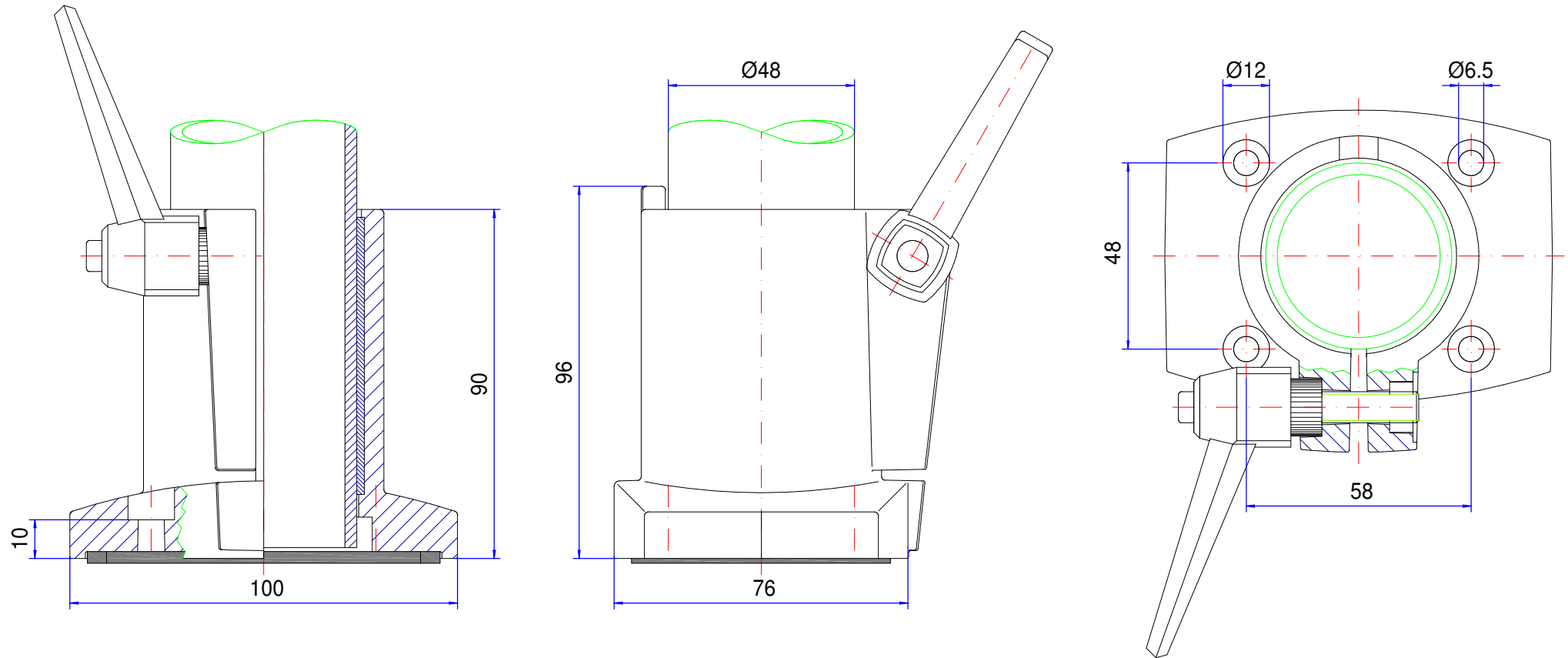



Suspension-system taraPLUS

Type: Adaption

Material-No.: 146.025.009



Material system elements	GK-Al Si 12 (DIN 1725)		Pivoting range	---
Gasket	Chloroprene (CR), black		Weight	0,500 kg
Assembly screws	---		Coating	Powder coating RAL 7040, window grey
Ingress protection	IP54 EN 60529		Tolerance	GTA 14/5 DIN 1688-3 (outside dimensions $\pm 0,8\text{mm}$)