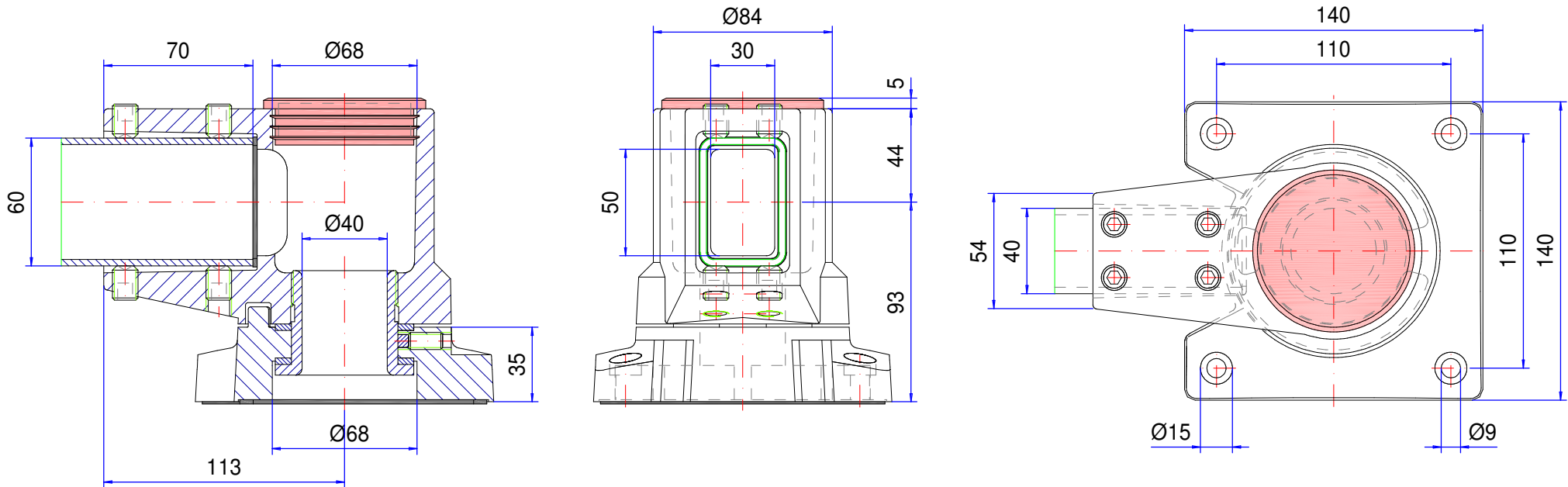


Suspension-system taraPLUS

Type: Socket joint

Material-No.: 149.005.000



Material system elements	GK-Al Si 12 (DIN1725)		Pivoting range	300°
Gasket	Chloroprene (CR), black		Weight	2,450 kg
Assembly screws	8x M12, galvanized steel		Coating	Powder coating RAL 7040, window grey
Ingress protection	IP54 EN 60529		Tolerance	GTA 14/5 DIN 1688-3 (outside dimensions ±0,8mm)