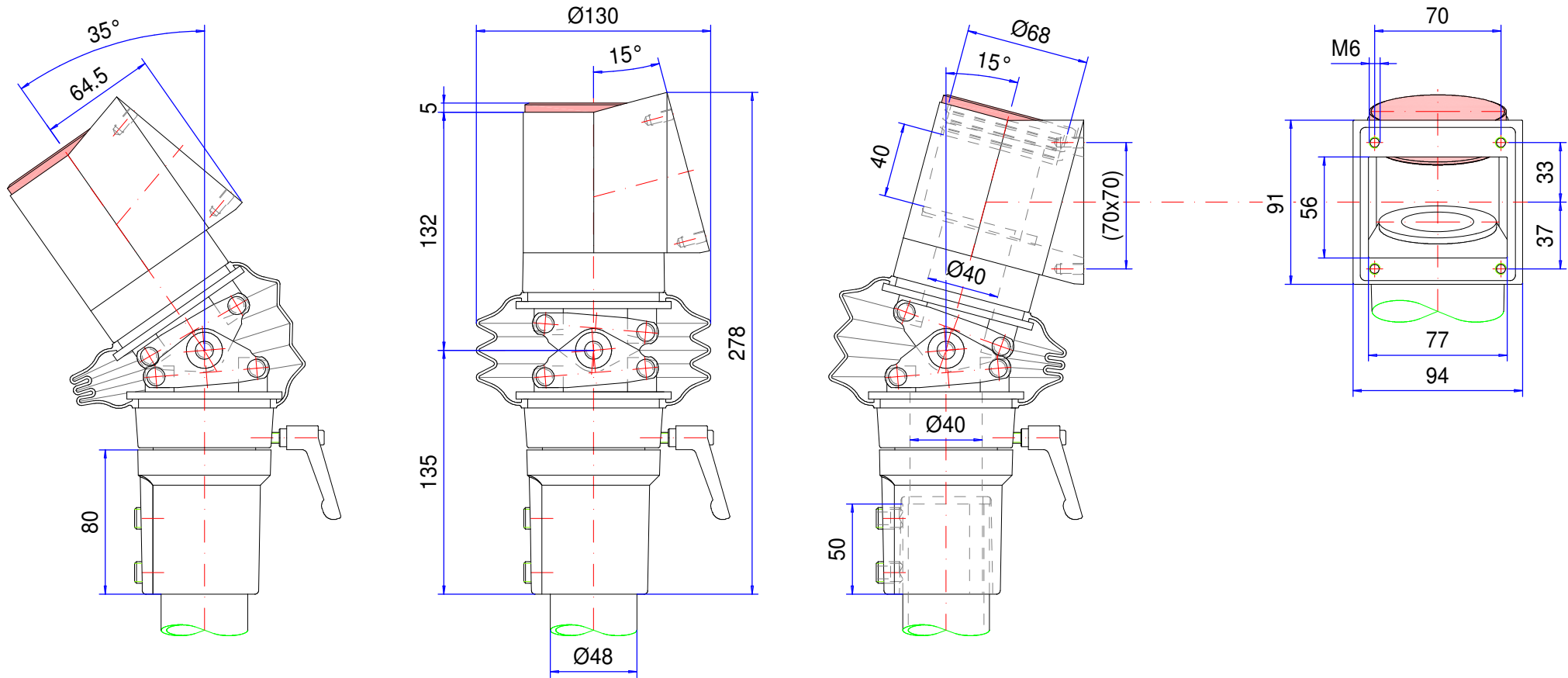


Suspension-system taraPLUS

Type: Console inclination rotary coupling

Material-No.: 149.025.003



Material system elements	GK-Al Si 12 (DIN 1725)		Pivoting range	300°
Gasket	Chloroprene (CR), black		Weight	2,150 kg
Assembly screws	2x M12, galvanized steel		Coating	Powder coating RAL 7040, window grey
Ingress protection	IP54 EN 60529		Tolerance	GTA 14/5 DIN 1688-3 (outside dimensions $\pm 0,8\text{mm}$)