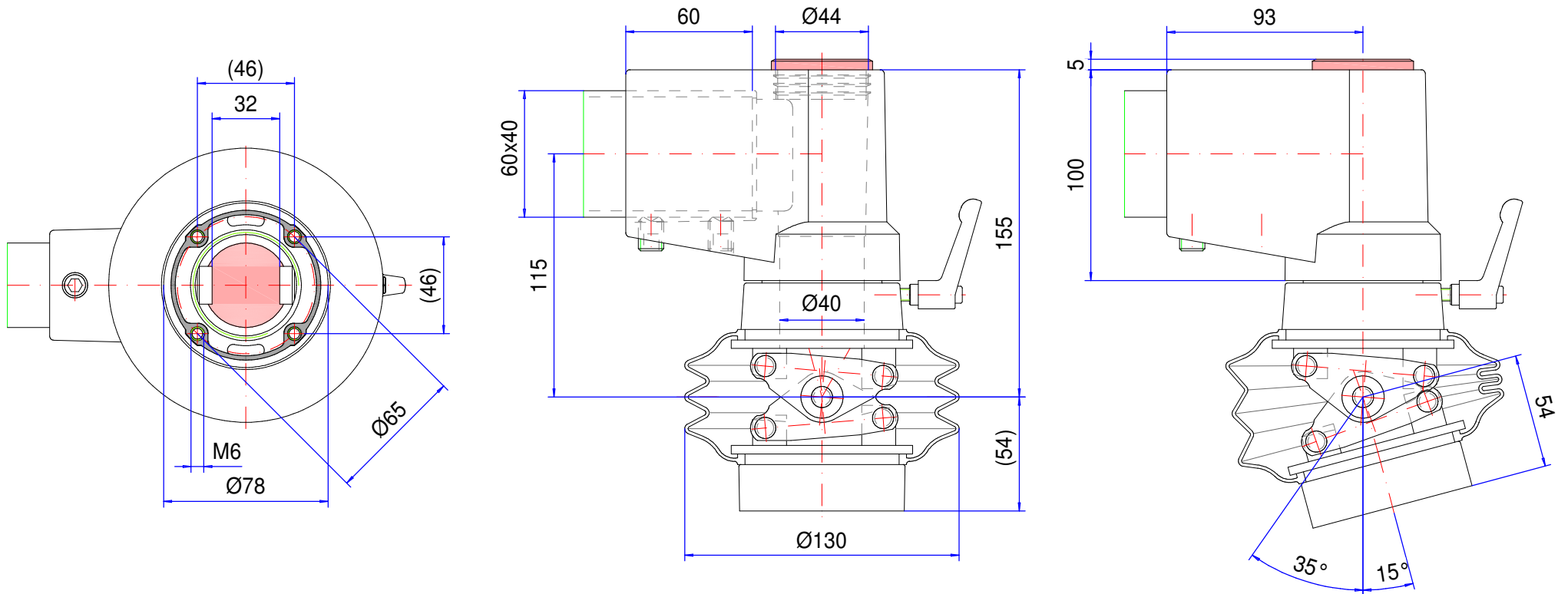
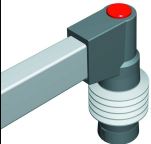


# Suspension-system taraPLUS

Type: Inclination elbow rotary coupling

Material-No.: 149.035.001



Material system elements	GK-Al Si 12 (DIN 1725)		Pivoting range	$300^\circ$
Gasket	Chloroprene (CR), black		Weight	1,800 kg
Assembly screws	2x M12, galvanized steel		Coating	Powder coating RAL 7040, window grey
Ingress protection	IP54 EN 60529		Tolerance	GTA 14/5 DIN 1688-3 (outside dimensions $\pm 0,8$ mm)