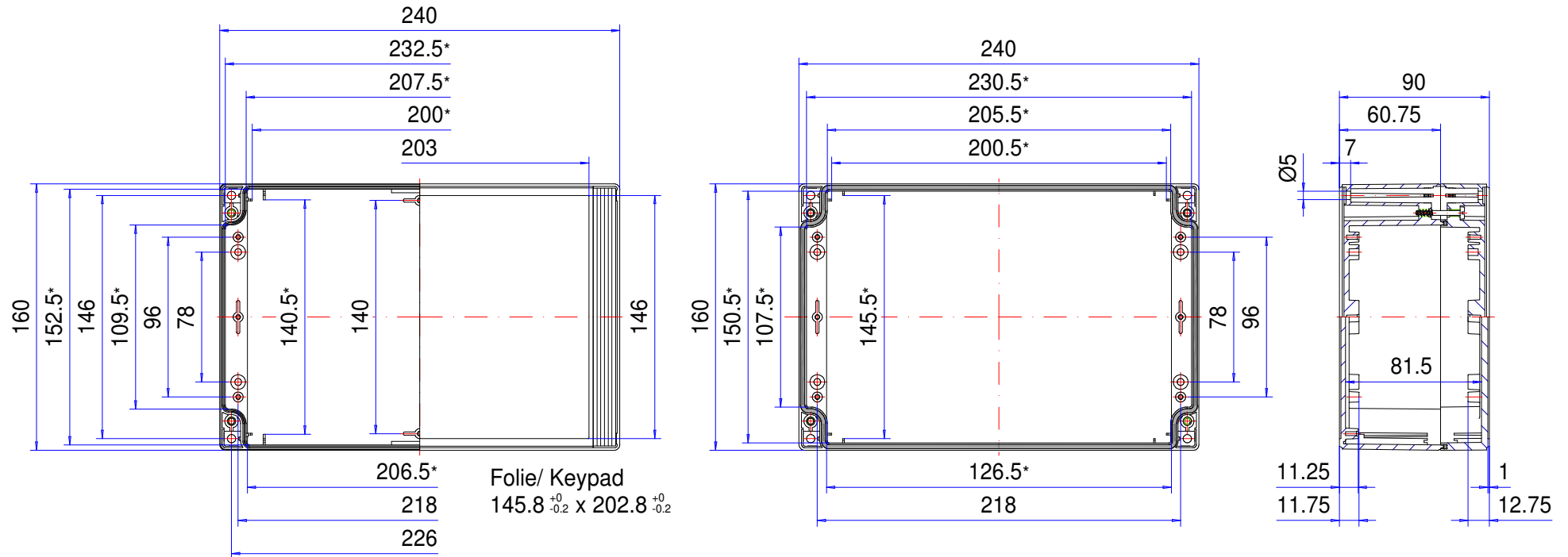



Enclosure series technoCASE

Type: TA 162

Material-No.: 201.162.000



* Please note: Mould slope for casting ejection, dimensions in the amount of the bottom!

| | | | | |
|--------------------|--|--|-----------------|---|
| Enclosure material | ABS, UL 94 HB, RAL 7035, light grey |  | Weight | 620 g |
| Lid screws | 4x stainless steel 1.4567 (V2A), captive | | Assembly screws | 4x KBL Ø3x8,5, galvanized steel |
| Gasket | 1x moulded gasket, silicone, black | | Surface | Mirror finished |
| Ingress protection | IP66 EN 60529 | | Tolerance | DIN ISO 16901 T-130 (outside dimensions ±0,5mm) |
| | | | | |