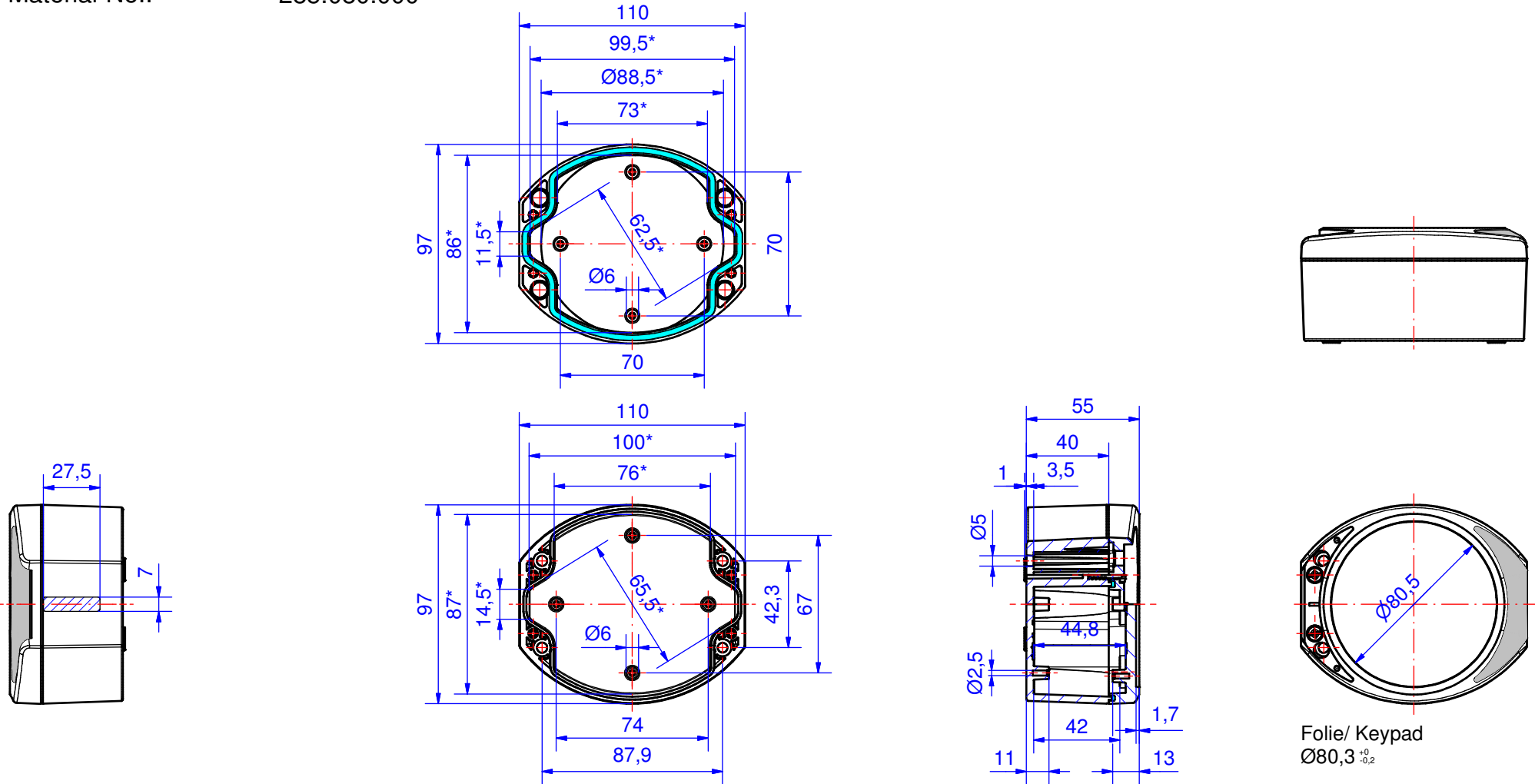



Enclosure series technoDISC

Type: TD 080

Material-No.: 285.080.000



* Please note: Mould slope for casting ejection, dimensions in the amount of the bottom!

Enclosure material	ASA Luran S, RAL 7035, light grey		Gasket	1x moulded gasket, silicone, transparent
Lid screws	4x 1.4567 (V2A), captive		Ingress protection	IP66 EN 60529
Assembly screws	4x KBL Ø3x8,5, galvanized steel		Weight	216 g
Design covers	2x Polyoxymethylene (POM), RAL 7016, anthracite grey		Tolerance	DIN ISO 16901-130 (outside dimensions ±0,5mm)

Folie/ Keypad
Ø80,3⁺⁰_{-0,2}